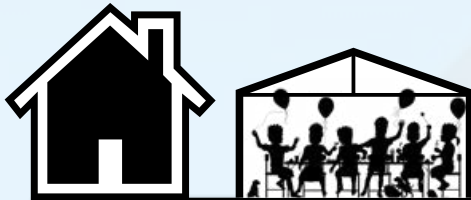


MODULE C - GABLE ROOF AWNING, PATIOS & CARPORTS ENGINEERING & CONSTRUCTION MANUAL NON-CYCLONIC & CYCLONIC REGIONS



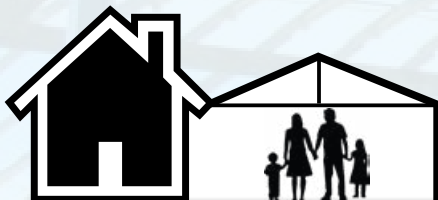
**GABLE - STANDALONE
KINGPOST STYLE**



**GABLE - STANDALONE
KINGPOST STYLE - ECO**



**GABLE - ATTACHED
KINGPOST STYLE**



**GABLE - ATTACHED
KINGPOST STYLE - ECO**

Australian Made For An Australian Lifestyle

ENGINEER CERTIFICATION

Awnings, Patios and Carports, that are installed in accordance with these documents, pages 1 to 56 inclusive, issued by Delta Panels Pty Ltd are certified to be structurally adequate and accordance to relevant Australian Standards but not limited to, AS 1170.0, AS 1170.1, AS 1170.2, AS 4055, AS 1684.2, AS 1720.1, AS 2870, AS 3600, AS 3700, AS 4100, AS 4600, AS 1562.1, AS 4040.3 and will comply and meet performance requirements in accordance with NCC 2022.

J S George Meija
BE. B Com CPEng MIE Aust
Registered Professional Engineer Qld 742
Registered Builder Qld 2862
1/5 Golden Crest Place
Bellbowrie Qld 4070

Signed:



George J S Meija

Delta Panels Pty. Ltd.

ABN: 11 147 861 292

Document No. 211010

Version Date: 08.05.2023

E: info@deltapanel.com
W: www.deltapanel.com

Head Office:
731 Boundary Road, Richlands, Qld 4077
P: +61 07 3271 2170

Sydney Depot:
11 The Old Northern Road, Narellan, NSW 2567
P: +61 02 4611 7712



SCI QUAL
INTERNATIONAL



SCI QUAL
INTERNATIONAL



SCI QUAL
INTERNATIONAL



PREFACE

The Delta Panels™ Engineering Manual is divided into five (5) separate modules. Each module covers a different product type and the engineering calculations specifically associated with those products.

MODULE A - AWNINGS, PATIOS & CARPORTS

The module covers roofs which are either attached to an existing building primarily a dwelling or to a separate standalone structure. The engineering calculations encompass both single skin and insulated roofing and is divided into both DeltaSingle™ and DeltaSpan™ span tables.

MODULE B - PRE-ENGINEERED KITS

The Engineering for this series of structures is presented in kit forms covering single and double awnings, patios & carports with various options regarding footing types. This module covers engineering for DeltaSpan™ roofing in both cyclonic and noncyclonic regions. Any other configuration that is not covered by the engineering in this module would require site specific engineering calculations.

MODULE C - GABLES

The Gable Engineering module encompasses two (2) different styles of Gables, namely King Post and King Post-ECO. The engineering tables are presented with various options on roof pitch and the associated post, beam and fixing requirements.

MODULE D - BRACKETS AND FIXINGS

This module lists all of the associated brackets and fixings that have been tested and approved for use. These brackets and fixings are an integral part of the Delta Panels™ Engineering Manual.

MODULE E - RESIDENTIAL ROOFING

The Module E - Residential Roofing module covers the spans and permissible overhangs that Delta Panels insulated roofing products are certified for in both single & multi-span applications. These calculated spans are shown for both non-cyclonic and cyclonic zones.

ENGINEERING NOTES

ENGINEERING NOTES

1. The Span Tables are to be used for external non-habitable applications only.
2. Design Wind Class is to be determined in accordance with AS 4055:2021 - Wind loads for housing.
3. Any side of new roofing with more than 50% of clear area from ground to sheeting blocked is considered to be an enclosing wall.
4. Maximum post height is to be 3m.
5. Beams are to be stitch-screwed at 300mm centres maximum.
6. Allowable mid-span deflection limits adopted for Delta Beams™ are:
Wind Loads - span / 125
Maintenance Loads - span / 150
Permanent Loads - span / 300
7. Allowable lateral deflection limit adopted for the posts is height / 150
8. Maintenance load of 1.4kN has been allowed for.
9. No gable infill is allowed.

GENERAL NOTES

The information contained in this Engineering & Construction Manual is specifically designed to suit the range of freestanding and attached Delta Panels™ Awnings, Patios & Carports Kits which have been engineered for Insulated Roofs.

Delta Panels™ Awnings, Patios & Carports Kits are considered to be a freestanding structure unless it's attached to an existing structure for at least 50% of its shortest side.

The information contained in this Engineering manual relates specifically to products supplied by Delta Panels Pty Ltd™. Any products not approved by Delta Panels Pty Ltd™ will void Engineering Approvals and Warranties expressed or implied.

All assembly, connection and installation procedures must comply with the Delta Panels™ standards as set out in the Engineering & Construction Manual

CONCRETE/FOOTINGS

For any connections to an existing concrete slab, it is the Builder/Owner's responsibility to ensure that the slab is structurally adequate to support the additional load, including consideration of any uplift forces.

- Concrete strength must be a minimum of N25 in accordance with AS 1379-2007.
- The slab must cover the full width of the roof and reinforced with SL72 mesh or greater.
- Any Piers are to be founded in natural firm to stiff clay with a minimum allowable bearing capacity of 100kPa. Contact a Geotechnical Engineer for advice to establish that these conditions can be met.
- If fixing to a concrete slab, the slab is to be continuous over the area under the roof and the slab dimensions shall be equal to or greater than the overall roof width and length.

ENGINEERING NOTES

BEAM TYPES

Manufactured from high tensile steel, DeltaBeam™ is engineered and tested to comply with AS 1397-2011. Major components are made from strong high tensile steel, while the fixings and brackets are galvanised for a long, useable life.

DELTABEAM™ SPECIFICATIONS

Height	100	150	200	250	300
Base Metal Thickness	1.0mm	1.2mm	1.2mm	1.6mm	1.6mm
Yield Strength	550MPa	550MPa	550MPa	550MPa	550MPa
Width	65mm	65mm	65mm	65mm	65mm

STEEL COMPONENTS

All Steel structural components of the Delta Panels™ Awnings, Patios & Carports Kits systems are in accordance with the following Australian Standards:

Delta Insulated Panel Top Skin	AS 1397-2011
Delta Insulated Panel Bottom Skin	AS 1397-2011
Delta Beam™	AS 1397-2011
Posts (Square Hollow Sections)	AS 1163-2016

The following minimum grades are required for these steel components:

- All Posts to be Grade C350LO
- All Plates are Grade 250 U.N.O
- All External Steelwork to be Hot Dip Galvanised including Fixings
Note: Duragal is not an adequate substitute for hot dip galvanising
- All Bolts are Grade 4.6/S & Welds SP, class 4mm continuous fillet weld U.N.O.

FIXINGS

All fixing components of the Delta Panels™ Awnings, Patios & Carports Kits systems are in accordance with these Australian Standards

Bolts shall be grade 4.6 or greater	AS 1110.1-2015
Fixing Screws shall be class 3	AS 3566-2002

GLOSSARY

DeltaSpan™	A registered name covering the range of Delta Panels™ insulated roofing products, DeltaTrim™, DeltaOrb™, DeltaCorroCorro™, DeltaTrimTrim™ & DeltaTrimCorro™
DeltaTrim™	A registered name for Delta Panels™ insulated roof product with a trapezoid formed top skin
DeltaOrb™	A registered name for Delta Panels™ insulated roof product with a corrugated formed top skin
Insulated Roofing	Covers all the products listed in DeltaSpan™
Single Span	The length between two fixing points
Multi Span	A continuous length that spans over three (3) or more fixing supports
Roof Span	Being the total span of the roof area with any overhang included
Gable KingPost	A Gable roof construction where the roof panels are attached to the ridge beam via a connecting channel
Gable KingPost-ECO	A Gable roof construction where the roof panels are placed upon the ridge beam and fixed directly through the panel
Overhang	The length that the roof sheeting overhangs the last fixing support, forming a cantilevered portion
Roof Slope	The angle of the roof from its peak to its lowest point
Cyclonic Region	Refer to Step 1 Wind Speed Determination
NonTrafficable	Not designed for direct foot traffic and requires a temporary walkway for maintenance access.
NonCyclonic Region	Refer to Step 1 Wind Speed Determination
Beam Load Widths	The width of the roof which is considered to act in loading the beam for simple awnings this is 50% of the roof sheeting plus any adjacent overhang
Uplift Loads on the Beam	Is determined by a combination of the following factors, Beam Load Width, Awning Style and the Wind Category
Post Load Widths	The width of roof which is considered to act in loading the post. For simple awnings this is 50% of the roof sheeting plus any adjacent overhang that loads the beams connecting to the post
Uplift Loads on the Post	Is a force that consists of a combination of uplift force on the beam and the load width of the post
Hold Down Capacity	The maximum uplift capacity that the foundation can resist
SHS Post	Is a commonly used term for a Square Hollow Section steel post
C-section Beam	Is a commonly used term for a rollformed cold formed C section steel beam
DeltaBeam™	A registered name for Delta Panels™ two (2) piece roll-formed beam (RFB)
Receiver Channel	A roll formed channel that is attached to an existing structure into which the roofing sheet is then fixed

PAGE INDEX

MODULE C - GABLE

Step 1 - Determining the Correct Wind Speed	Page 9-14
Step 2 - Determine the Awning Types	Page 15-16
Step 3 - Select the Style of Roof Sheeting	Page 17
3.1 Insulated Spans	
- DeltaTrim™ Single-Span Non Cyclonic	
- DeltaTrim™ Multi-Span Non Cyclonic	
- DeltaOrb™ Single-Span Non Cyclonic	
- DeltaOrb™ Multi-Span Non Cyclonic	
Step 4 - Determine the Gable Style	Page 18-19
4.1 King Posy - Single Bay	
4.2 King Post - Multiple Bay	
4.3 Components	
Step 5 - Determine Gable Construction Style	Page 20-26
5.1 King Post	
5.2 King Post Eco-Style	
Step 6 - Determine Foundation Requirement	Page 27-29
6.1 Footing Details - Bored Piers - Types 1 - 4	
6.2 Footing Details - Connection to Existing Concrete Slab - Type 1	
6.3 Footing Details - Connection to Existing Concrete Slab - Type 2	
Step 7 - Gable to House connection	Page 30
Step 8 - Select Appropriate Table	Page 31-52
Step 9 - Fixing Information	Page 53-54

MODULE C - GABLES

ENGINEERING WORKSHEET

Single Span / Multi Span
(cross out Not Applicable)

Wind Category: _____

Patio Type Selected: _____

Roof Pitch : _____°

Gable Style: _____

Panel to Ridge Beam: style _____

King Post to End Beam: style _____

Panel to Side Beam: style _____

Post to Footing Type: style _____

Connection to House Type : style _____

Determine Panel Size: _____

STEP 1

DETERMINING CORRECT WIND SPEED

Whether you are building a stand-alone Carport or adding a Patio extension to your home, determining the correct wind rating is essential when considering the construction design and the materials that will be used.

There are 4 different factors that influence the wind classification, they are:-

- Region
- Terrain Category
- Shielding Determination
- Topographic Effect

Please remember that this is a guide only, check with your local authority to determine your exact rating.

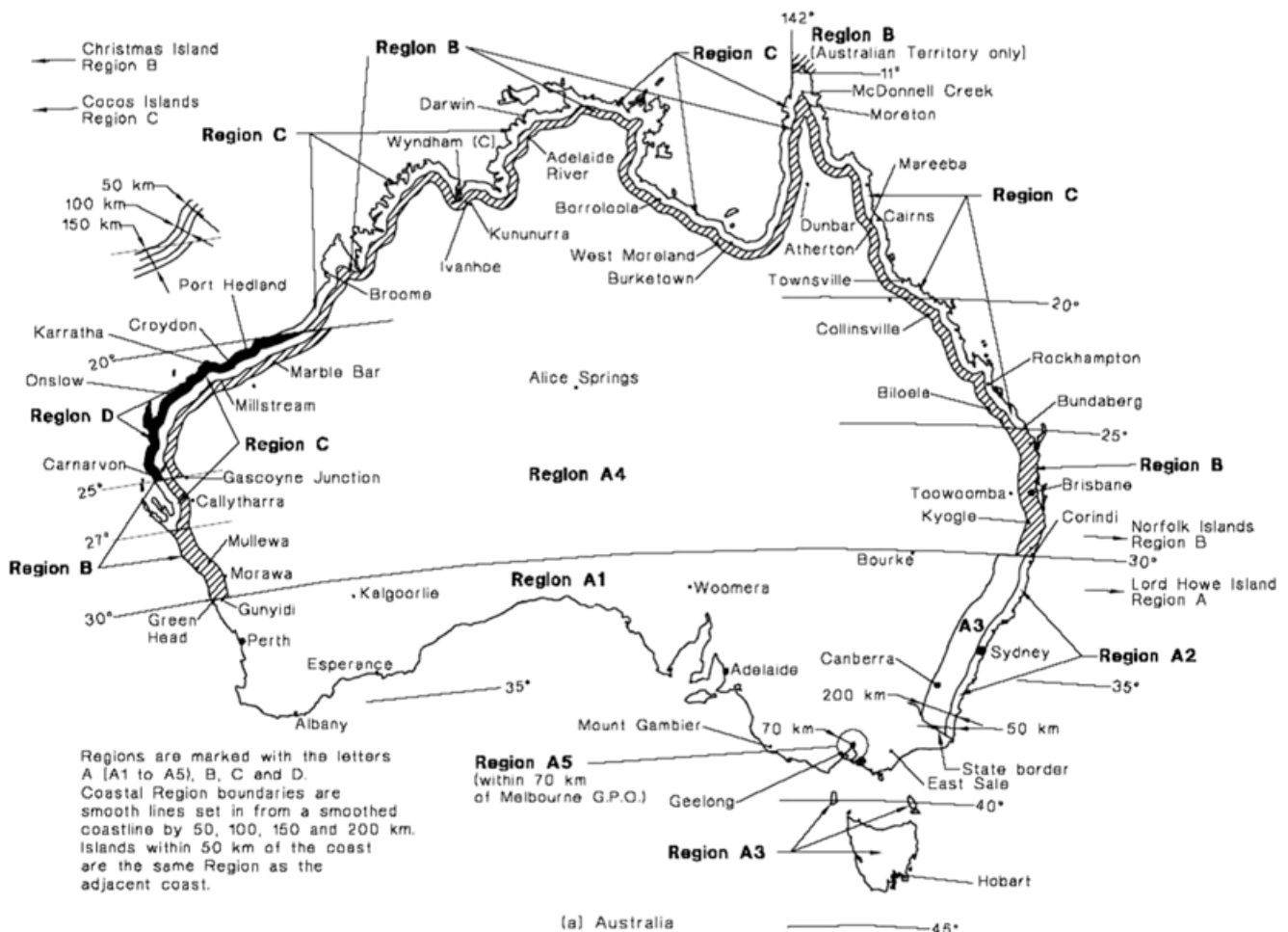
For a detailed analysis refer to the Australian Standard AS/NZS 1170.2:2021, the approach described here follows the AS 4055:2021 - Residential wind code method.

This approach is only suitable for structures up to 2 storeys high and no wider than 16m and 8.5m high. Outside these limitations, we recommend that you engage a structural engineer to provide advice on the approach suitable to your situation.



Step 1.1 - Region

Select the Region



Terrain Category

1:

Exposed terrain for a 10km radius, no trees, other buildings or hills. No limited sized water ways such as, rivers, canals, lakes and enclosed bays.



Terrain Category

1.5:

Located adjacent to shoaling waves from open water ways such as, rivers, canals, lakes and large unenclosed bays on seas and oceans, extending greater than 10km in any wind direction.



Terrain Category

2:

Open terrain with few trees, surrounding buildings such as surrounding buildings such as farmland and cleared subdivisions with trees and uncut grass.



Terrain Category

2.5:

Open terrain, typical of a newly developed outer suburb housing estate, with few established trees or surrounding buildings.



Terrain Category

3:

A suburban backyard environment with numerous closely spaced houses. The minimum density of houses and trees (except in region C & D) shall be the equivalent to 10 house size obstructions per hectare. Where substantial well-established trees shall be considered as obstructions (except in region C & D).



The shielding effect of established trees and established building structures will have an effect on the upward wind pressures. With the exception of regions C & D where trees are not considered a shielding element.

The 3 shielding classifications are:-

Full Shielding
FS

At least 2 rows of housing or similar size permanent structures surround the intended construction site. In Regions A & B, heavily timbered areas provide full shielding as long as they are within 100 metres.

Full shielding is only possible for houses within Topographical Classes T0, T1 and T2. The Full Shielding classification is only applicable to suburban developments with 10 or more houses and or similar sized structures, per hectare. The effects of roads or other open spaces within a distance of 100 metres in any direction are exempt.

FULL SHIELDING



Partial Shielding
PS

Partial shielding is only possible for houses within Topographical Classes T0, T1, T2 and T3.

To qualify there is a requirement to have at least 2.5 houses per hectare or equivalent structures situated upwind of the intended building location. This is typical of an acreage estate or housing based at the 2nd row from open water, abutting parklands or airfields.

PARTIAL SHIELDING



No Shielding
NS

This would be houses located on the edge of housing estates, the side of open water, airports, sporting fields and large open parklands.

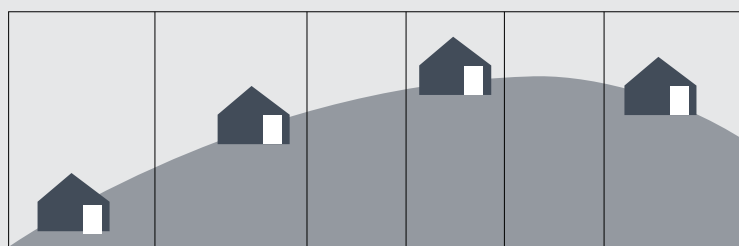
NO SHIELDING



This step measures the effect of wind on a proposed structure based on its site location on a slope, ridge, mountain or escarpment, then the actual height/slope of that particular location. Topographic classifications are divided into zones T0, T1, T2, T3, T4 and T5. Use the following table to determine the applicable topographic classification of a proposed structure. If the slope, ridge, mountain or escarpment exceeds 30 metres please refer to AS 4055:2021.

TOPOGRAPHIC EFFECT

SITE LOCATION ON SLOPE / MOUNTAIN / RIDGE / ESCARPMENT



MAXIMUM SLOPE OF MOUNTAIN / RIDGE / ESCARPMENT	SITE LOCATION ON SLOPE / MOUNTAIN / RIDGE / ESCARPMENT					
	LOWER THIRD	MID THIRD	TOP THIRD			OVER TOP
Less than 1:20 (2.9°)	T0	T0	T0	T0	T0	T0
Greater than & equal to 1:20 to Less than 1:10 (≥ 2.9° to < 5.7°)	T0	T0	T1	T1	T1	T0
Greater than & equal to 1:10 to Less than 1:7.5 (≥ 5.7° to < 7.6°)	T0	T1	T1	T2	T2	T0
Greater than & equal to 1:7.5 to Less than 1:5 (≥ 7.6° to < 11.3°)	T0	T1	T2	T2	T3	T1
Greater than & equal to 1:5 to Less than 1:3 (≥ 11.3° to < 18.4°)	T0	T2	T2	T3	T4	T2
Greater than & equal to 1:3 (18.4°)	T0	T2	T3	T4	T5	T3

By applying the results of the above 4 different factors that influence the wind classification, Region, Terrain Category, Shielding Determination & Topographic Effect to the WIND CLASSIFICATION CHART below a determination on the topographical classification can be made and then applied to the Delta Panels Engineering Charts.

WIND CLASSIFICATION FROM WIND REGION AND SITE CONDITIONS

TOPOGRAPHIC CLASSIFICATION

Region	Terrain Category	T0			T1			T2			T3		T4	T5
		FS	PS	NS	FS	PS	NS	FS	PS	NS	PS	NS	NS	NS
A	3	N1	N1	N1	N1	N2	N2	N2	N2	N2	N3	N3	N3	N4
	2.5	N1	N1	N2	N1	N2	N2	N2	N3	N3	N3	N3	N4	N4
	2	N1	N2	N2	N2	N2	N3	N2	N3	N3	N3	N3	N4	N4
	1.5	N2	N2	N2	N2	N3	N3	N3	N3	N3	N3	N4	N4	N5
	1	N2	N3	N3	N2	N3	N3	N3	N3	N4	N4	N4	N4	N5
B	3	N2	N2	N3	N2	N3	N3	N3	N3	N4	N4	N4	N4	N5
	2.5	N2	N3	N3	N3	N3	N3	N3	N4	N4	N4	N4	N5	N5
	2	N2	N3	N3	N3	N3	N4	N3	N4	N4	N4	N5	N5	N6
	1.5	N3	N3	N4	N3	N4	N4	N4	N4	N4	N5	N5	N5	N6
	1	N3	N4	N4	N4	N4	N4	N4	N5	N5	N5	N5	N6	N6
C	3	C1	C1	C2	C1	C2	C2	C2	C2	C3	C3	C3	C3	C4
	2.5	C1	C2	C2	C2	C2	C2	C2	C3	C3	C3	C3	C4	N/A
	2	C1	C2	C2	C2	C2	C3	C2	C3	C3	C3	C4	C4	N/A
	1.5	C2	C2	C3	C2	C3	C3	C3	C3	C4	C4	C4	N/A	N/A
	1	C2	C3	C3	C3	C3	C3	C3	C4	C4	C4	N/A	N/A	N/A
D	3	C2	C3	C3	C2	C3	C3	C3	C4	C4	C4	C4	N/A	N/A
	2.5	C2	C3	C3	C3	C3	C4	C3	C4	C4	C4	N/A	N/A	N/A
	2	C3	C3	C4	C3	C4	C4	C4	C4	N/A	N/A	N/A	N/A	N/A
	1.5	C3	C4	C4	C4	C4	N/A	C4	N/A	N/A	N/A	N/A	N/A	N/A
	1	C3	C4	C4	C4	N/A	N/A	N/A	N/A	N/A	N/A	N/A	N/A	N/A

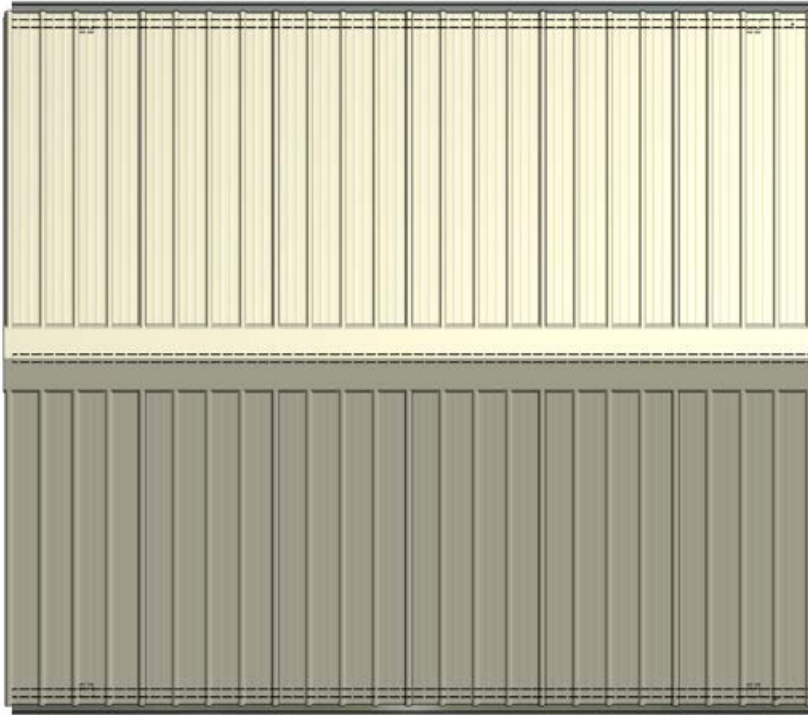
WIND CLASSIFICATION CONVERSION TABLE

WIND CLASSIFICATION		Serviceability Limit State Gust Wind Speed metres per second	Ultimate Limit State Gust Wind Speed metres per second
Regions A and B	Regions C and D		
N1 (Non-Cyclonic)	N/A	26	34
N2 (Non-Cyclonic)	N/A	26	40
N3 (Non-Cyclonic)	C1 (Cyclonic)	32	50
N4 (Non-Cyclonic)	C2 (Cyclonic)	39	61
N5 (Non-Cyclonic)	C3 (Cyclonic)	47	74
N6 (Non-Cyclonic)	C4 (Cyclonic)	55	86

Please Note:

This is to be used as a guide only. Check with your local authority for your exact rating. For a complete analysis of estimating please refer to Australian Standard AS/NZS 1170.2:2021 and AS 4055:2021

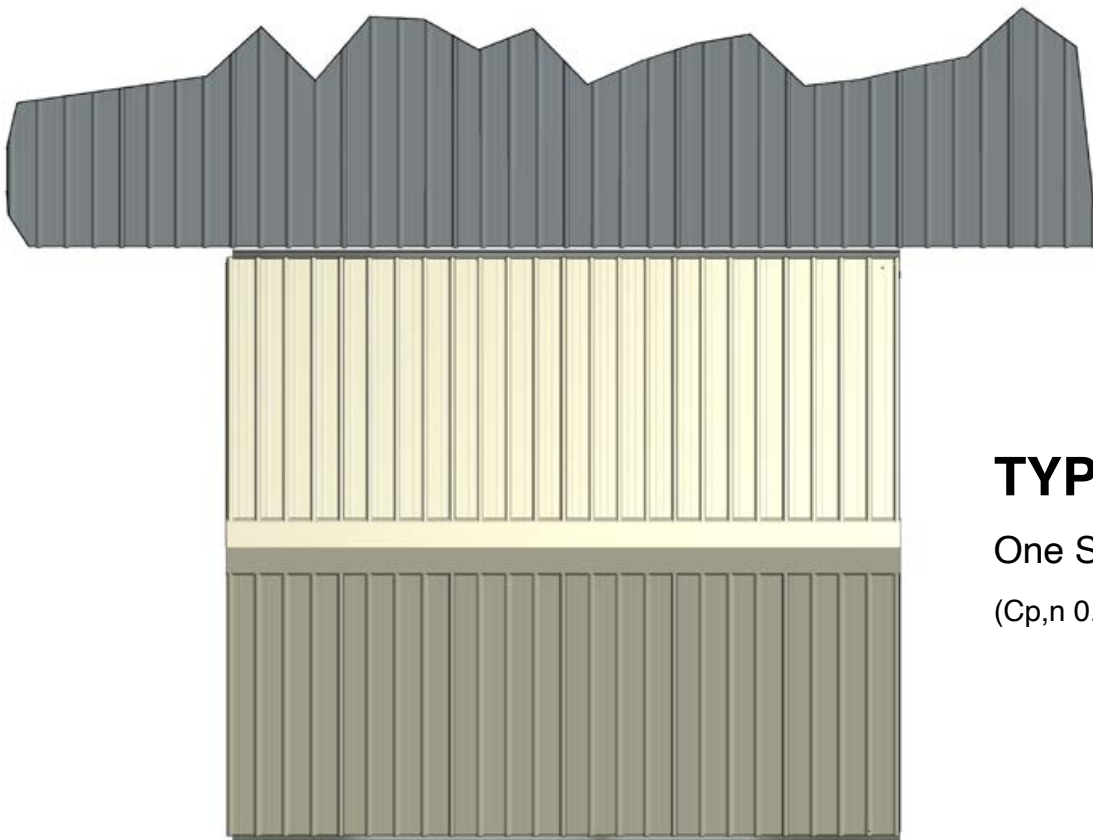
Delta Panels will not accept any liability for any loss or damage suffered as a result of any errors in the misinterpretation of any information provided in this guide. It is recommended to seek the services of an independent registered Engineer to confirm any calculations.



TYPE 0

Free-Standing

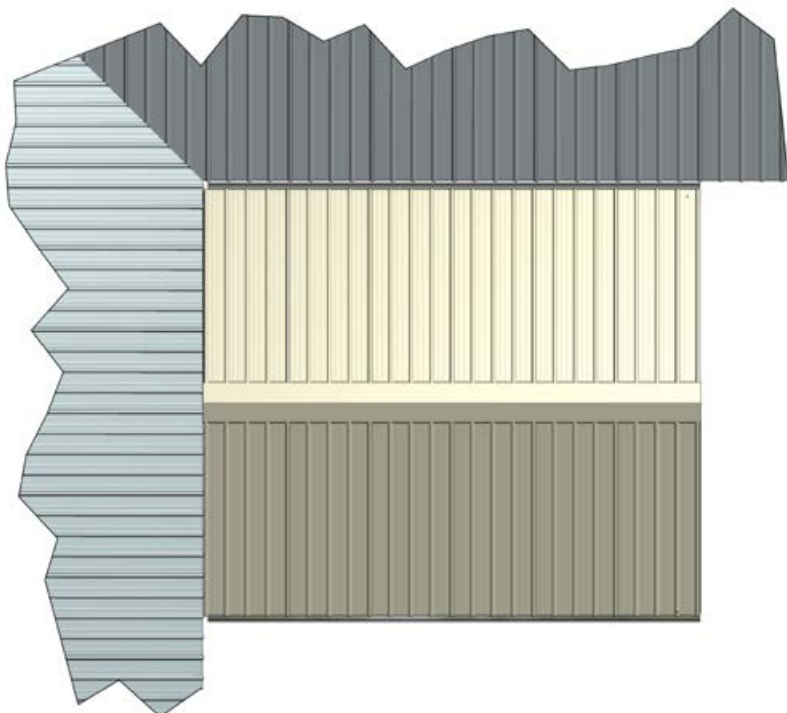
(Cp,n 0.5/0.7)



TYPE 1/1P

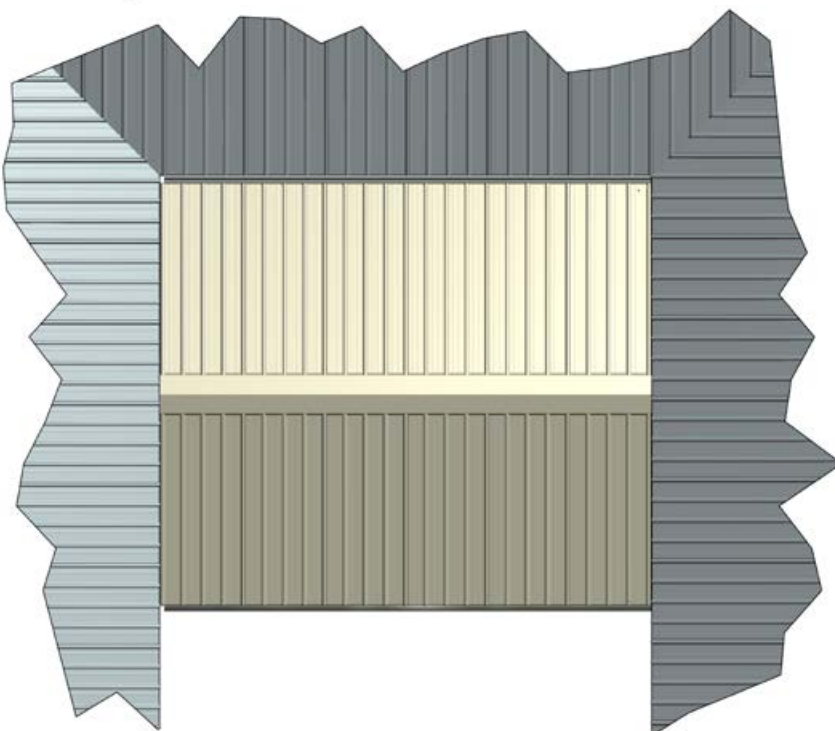
One Side Attached

(Cp,n 0.7/0.5)



TYPE 2

Two Side Attached
(Cp,n 1)



TYPE 3

Three Side Attached
(Cp,n 1.2)

Notes:

1. A side wall is classed as closed in if 70% of the cross sectional area is covered.
2. "A" above = DeltaSpan™ Panel Span (refer to Step 2).
3. "C" above = DeltaSpan™ Overhang.

Minimum Pitch:

- > **DeltaTrim™** 2°
- > **DeltaOrb™** 3°
- > **DeltaCorroCorro™** 3°
- > **DeltaTrimTrim™** 2°
- > **DeltaTrimCorro™** 3°

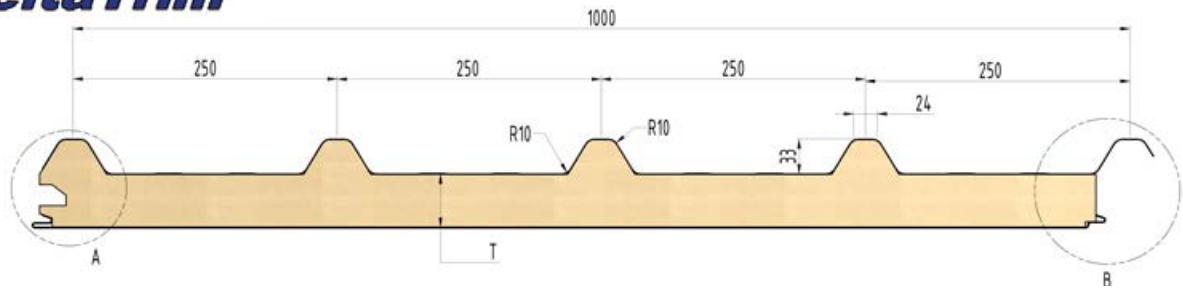
STEP 3

SELECT THE STYLE OF ROOF SHEETING

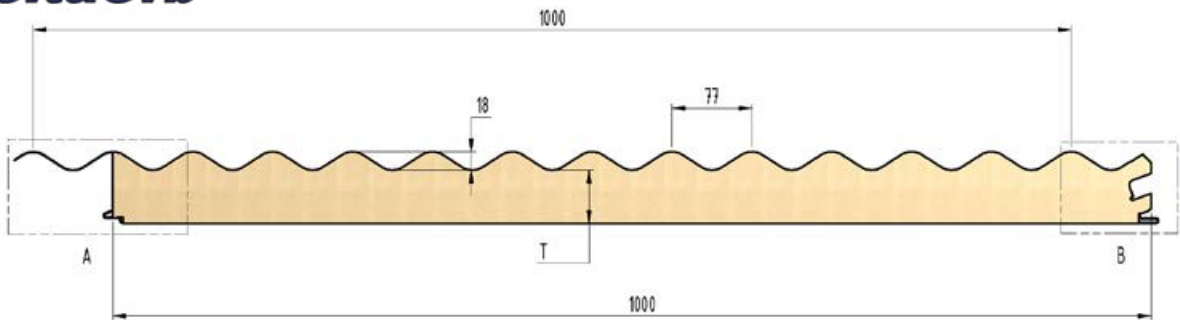
Step 3.1

Insulated Spans

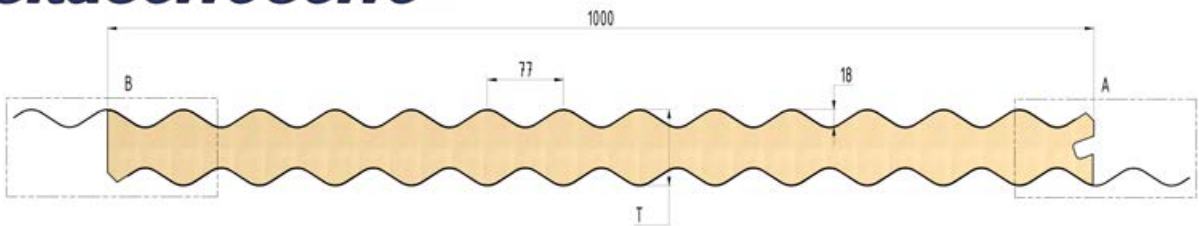
DeltaTrim™



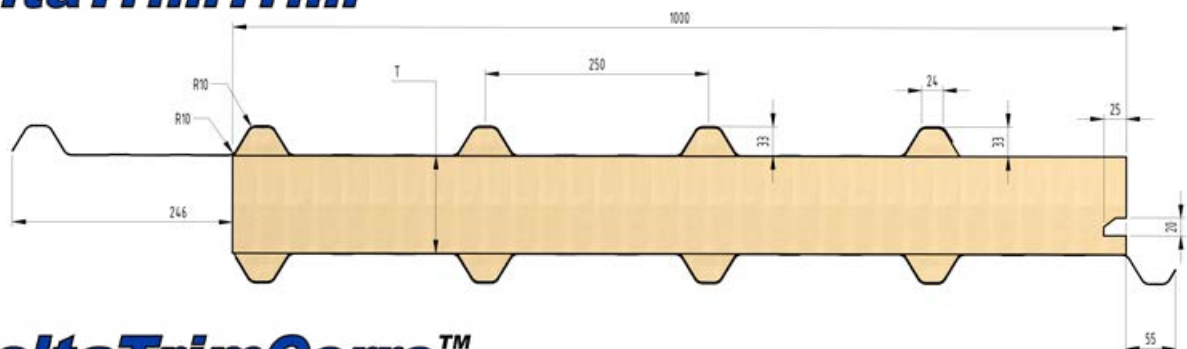
DeltaOrb™



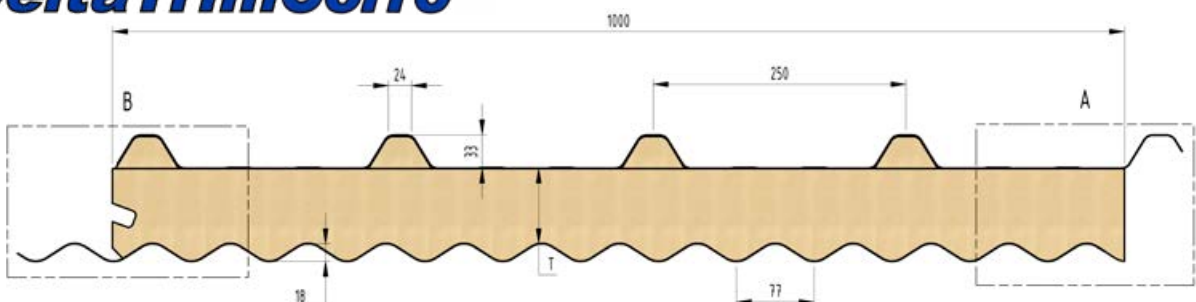
DeltaCorroCorro™



DeltaTrimTrim™



DeltaTrimCorro™



STEP 4

DETERMINE THE GABLE STYLE

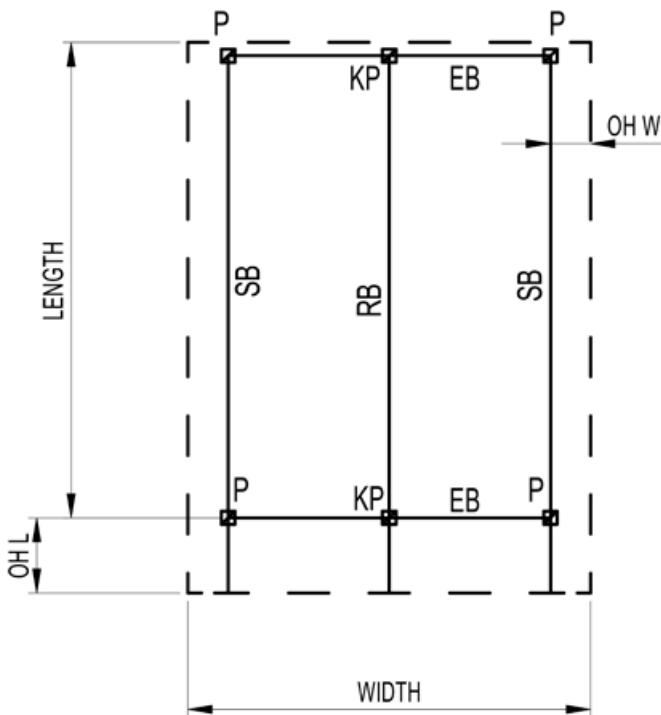
King Post

SB	SIDE BEAM	IB	INTERNAL BEAM
RB	RIDGE BEAM	P	SHS POST
EB	EDGE BEAM	KP	65 x 2 KING POST

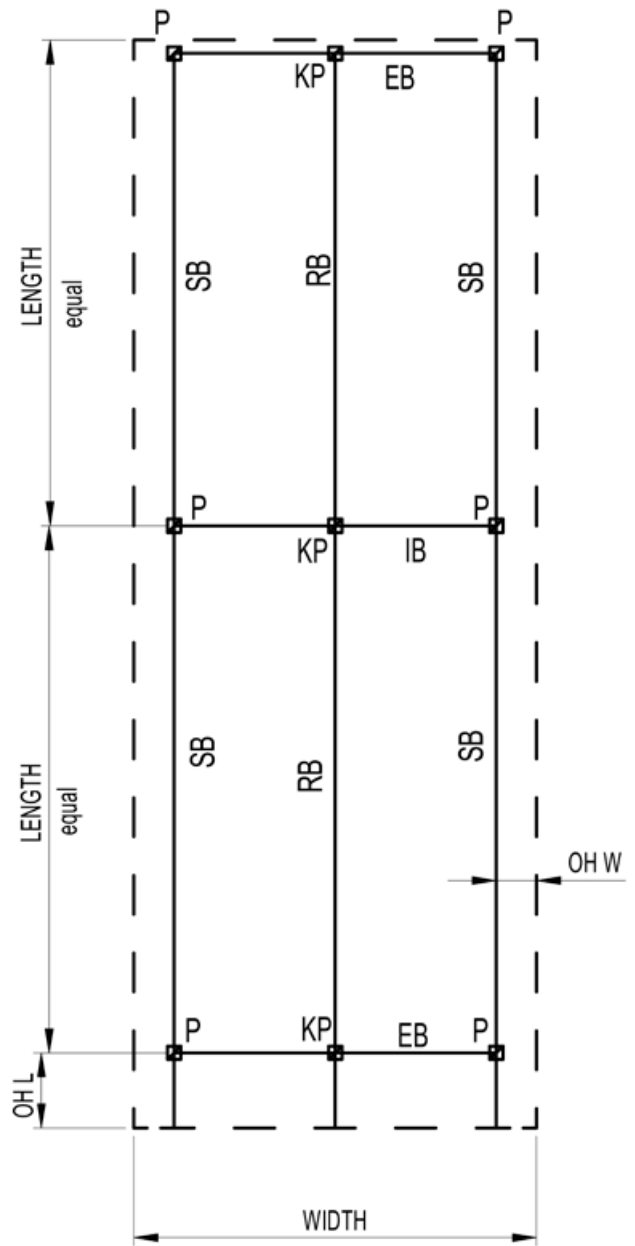
Notes

OVERHANG	"OH W" = MIN. OF 30% OF BACKSPAN OR 900MM OR AS LIMITED BY SHEETING / PANEL
MAX. OVERHANG	OH L" = MIN. OF 30% OF BACKSPAN OR 1200MM

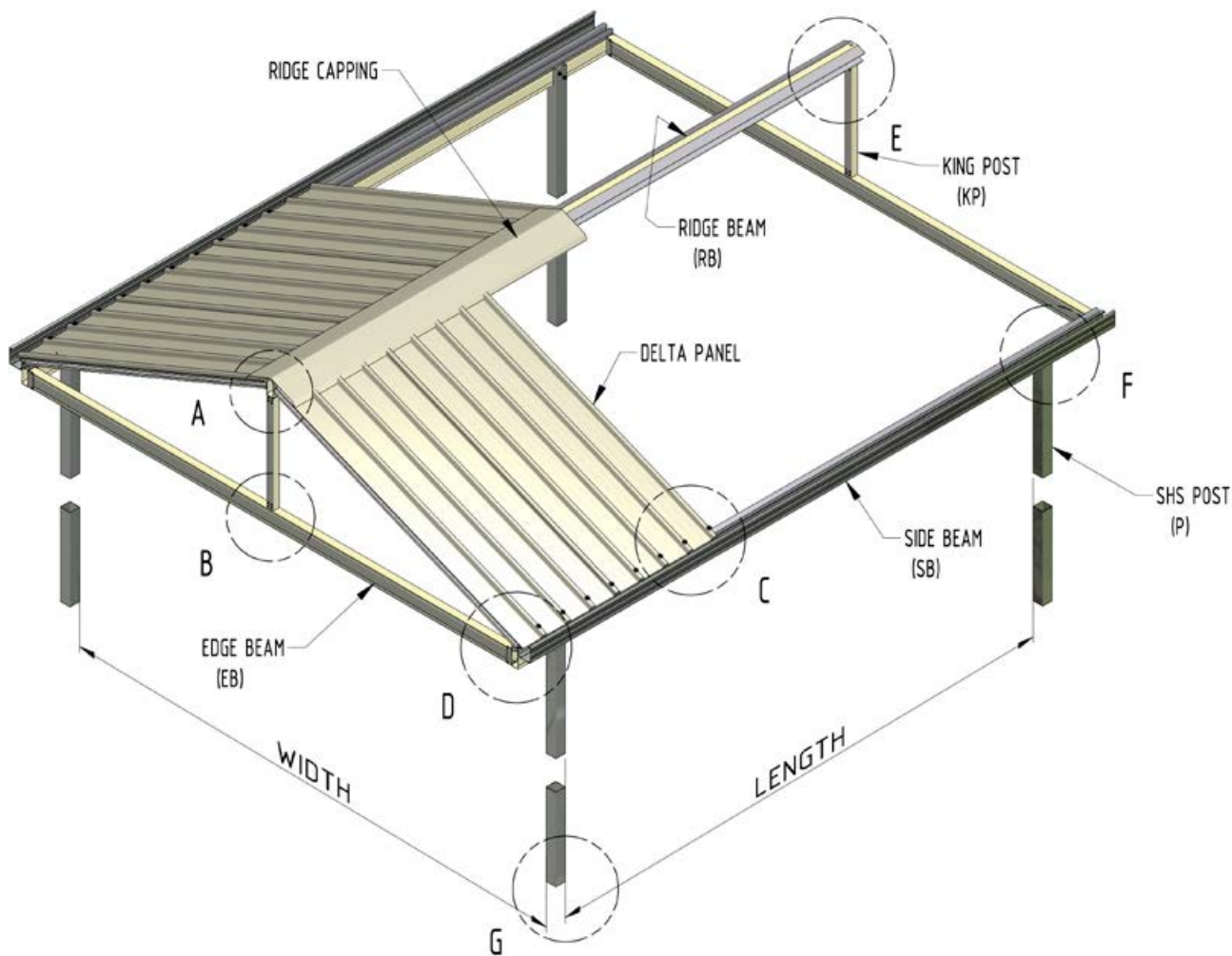
4.1 - Single Bay



4.2 - Multiple Bay



4.3 - Component Layout



A - Panel to Ridge Beam Connection

E - King Post to Ridge Beam

B - King Post to End Beam Connection

F - Side Beam to Post

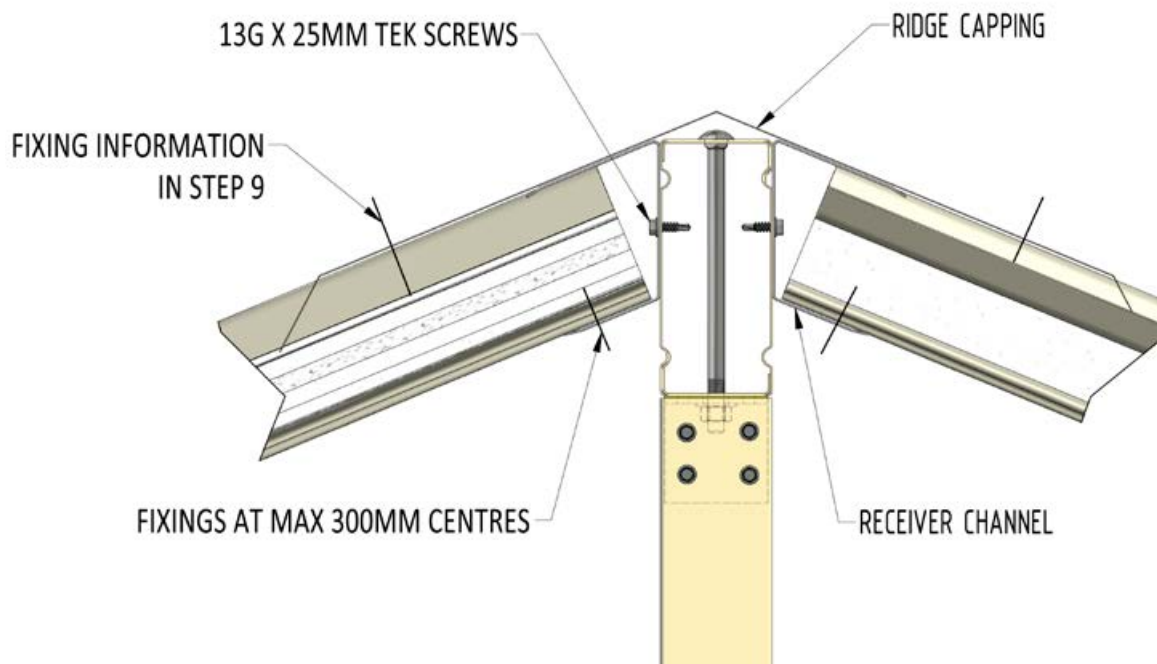
C - Panel to Side Beam Connection

G - Footing Details

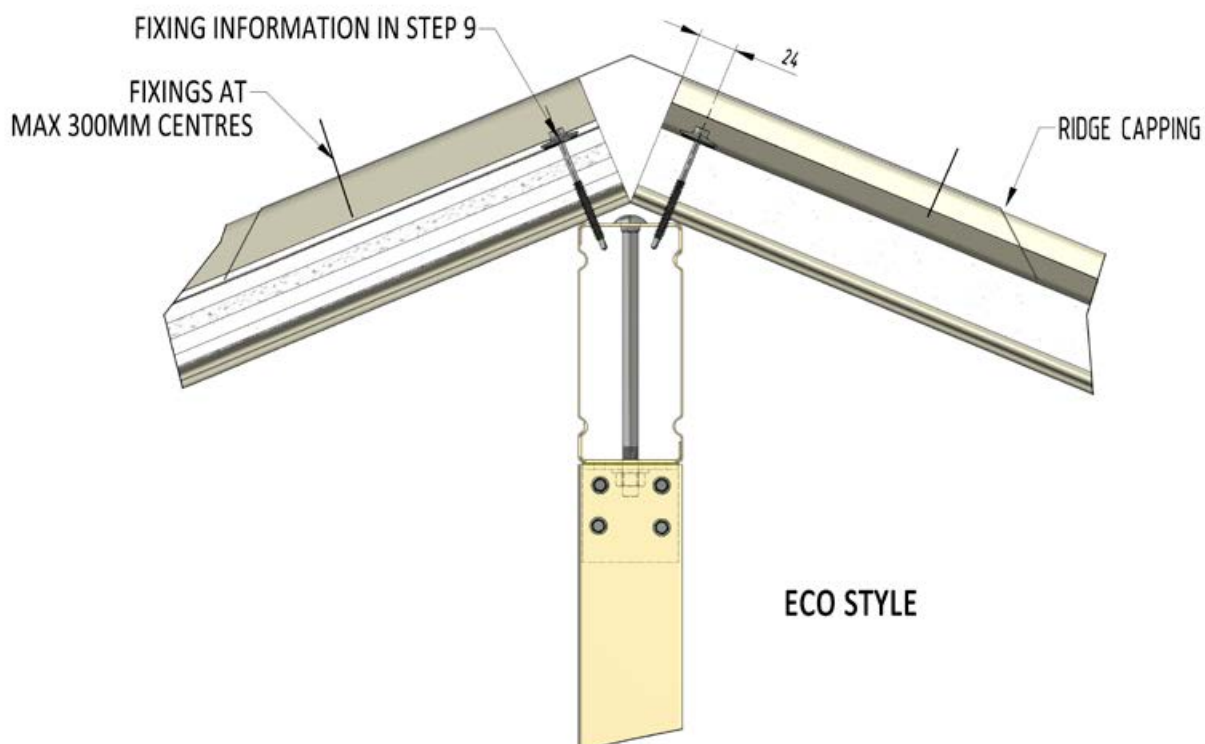
D - Side Beam to End Beam

5.1 A - Connection of Panel to Ridge Beam

A - 5.1.1 - Connection of Panel to Ridge Beam

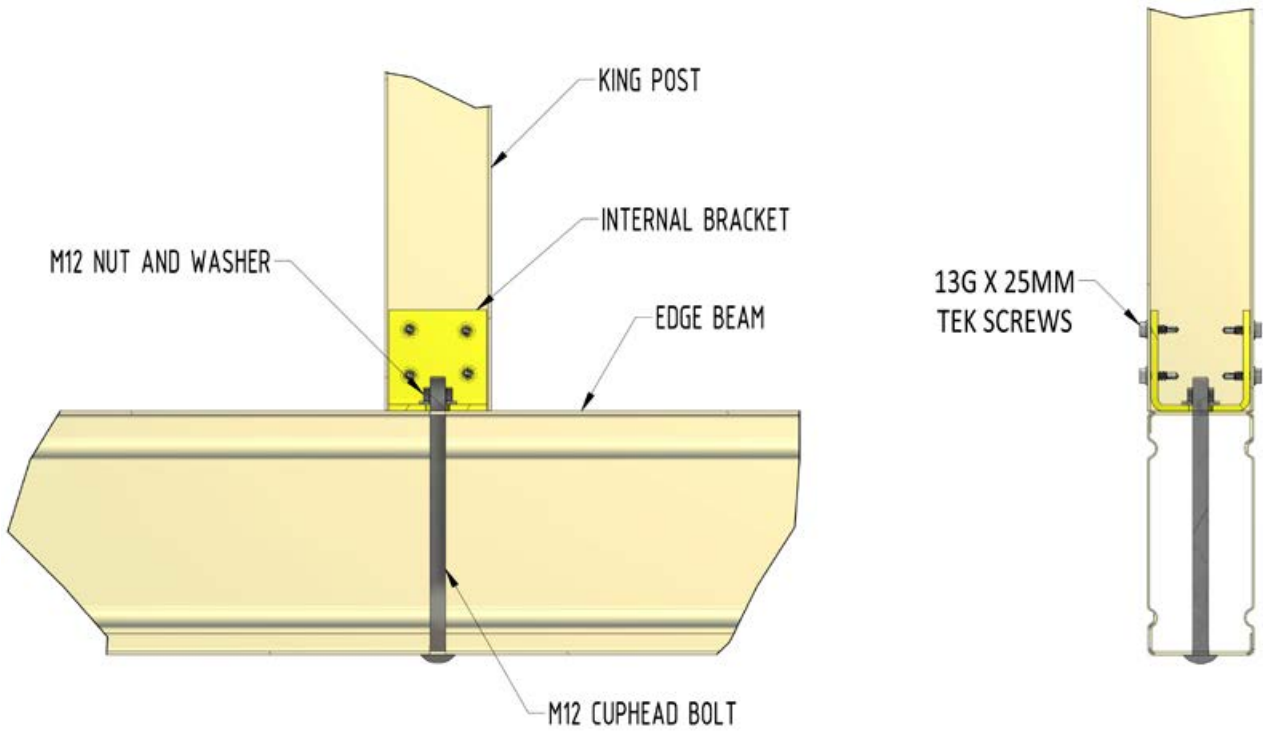


A - 5.1.1 - Connection of Panel to Ridge Beam - Eco Style

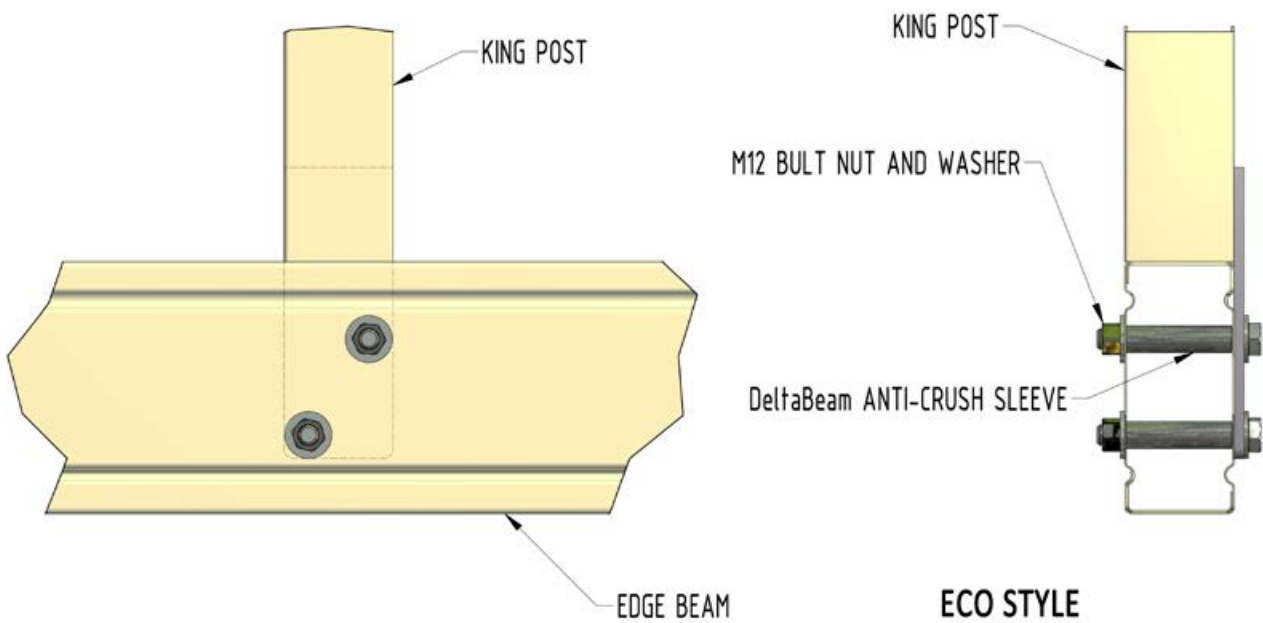


5.2 B - Connection of King Post to End Beam

B - 5.2.1 - Connection of King Post to End Beam



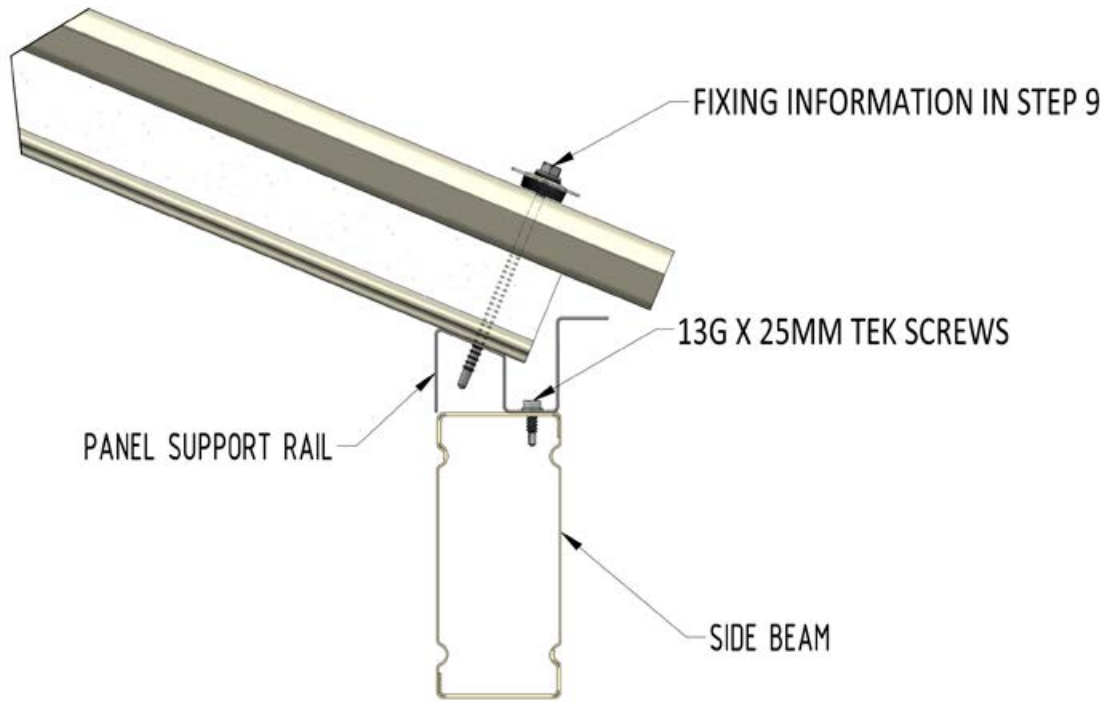
AB- 5.2.2 - Connection of King Post to End Beam - Eco Style



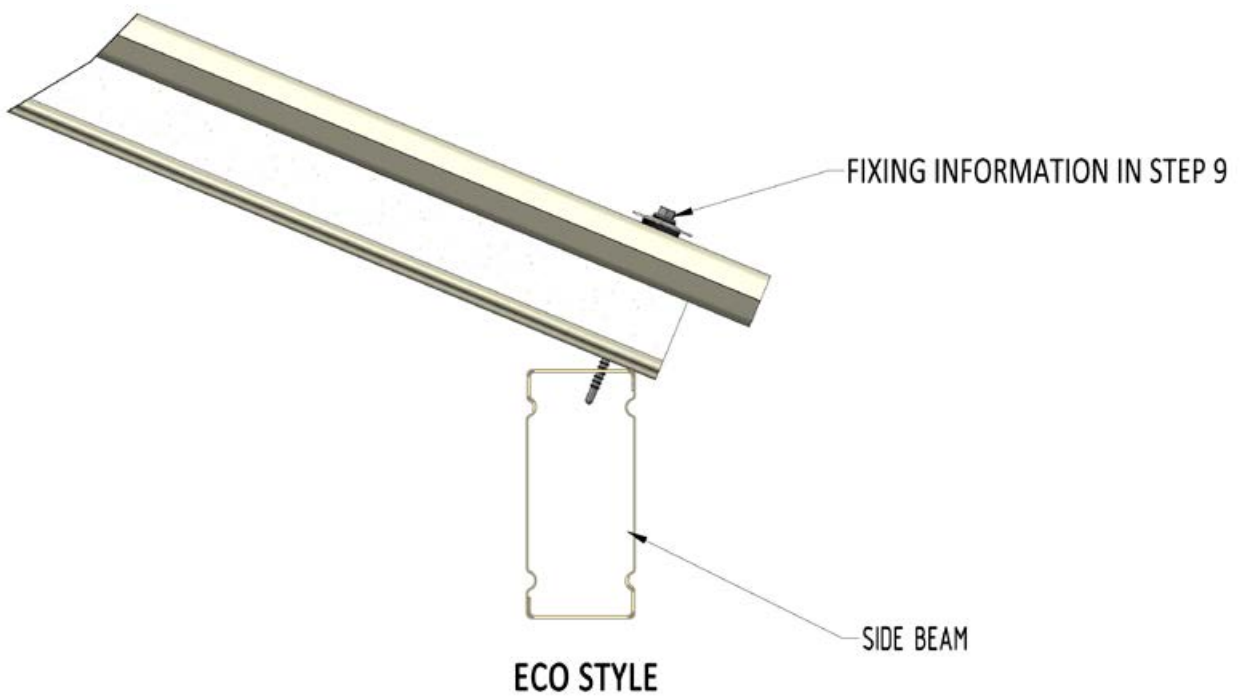
ECO STYLE

5.3 C - Connection of Panel to Side Beam

C - 5.3.1 - Connection of Panel to Side Beam

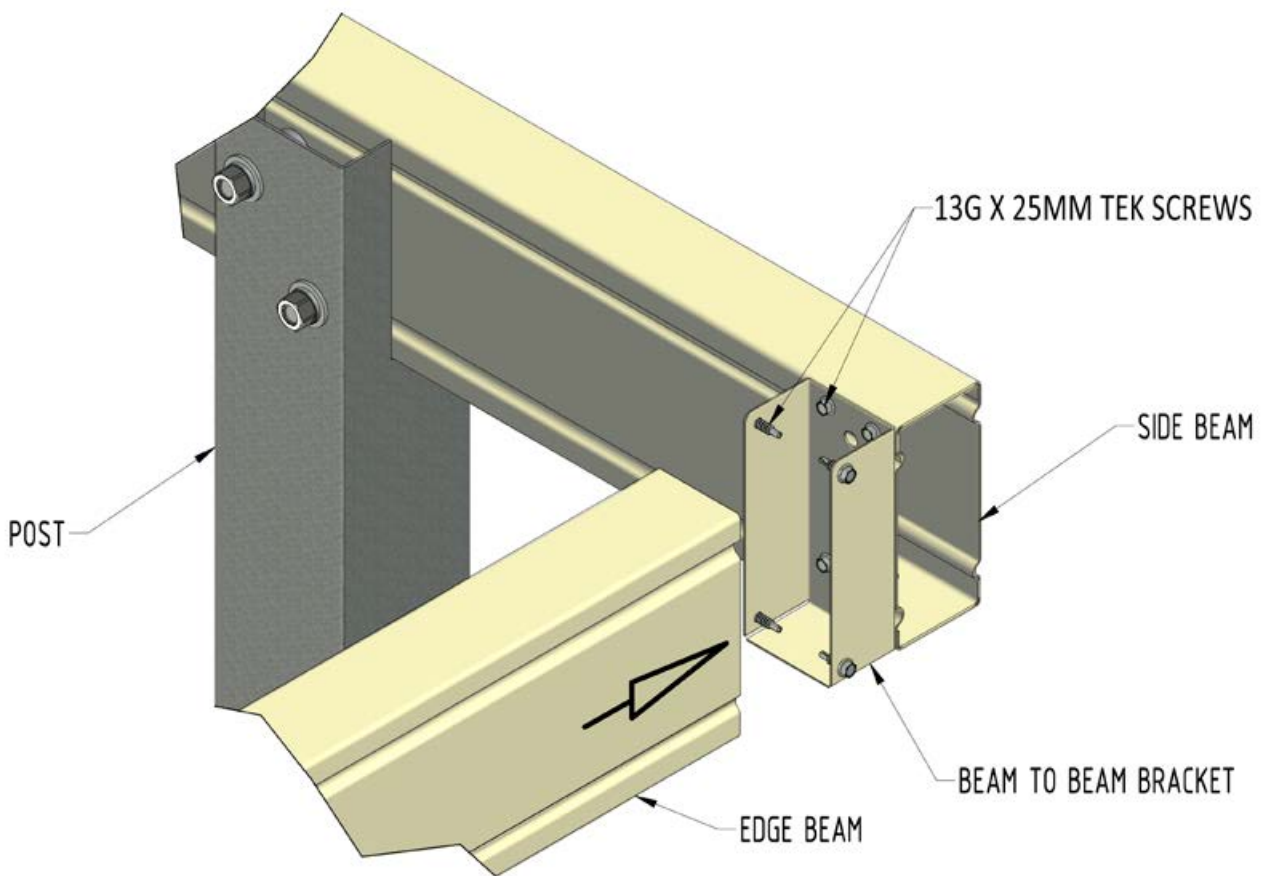


C - 5.3.2 - Connection of Panel to Side Beam - Eco Style



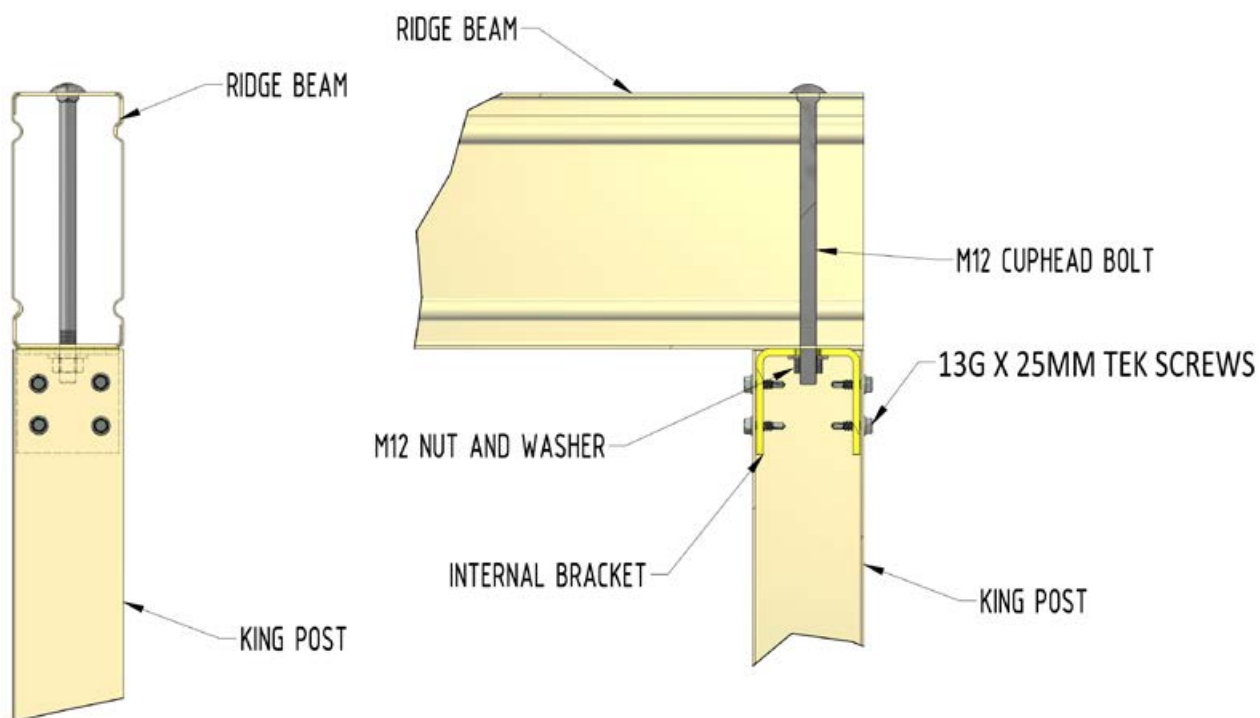
5.4 D - Connection of Side Beam to End Beam

D - 5.4.1 - Connection of Side Beam to End Beam

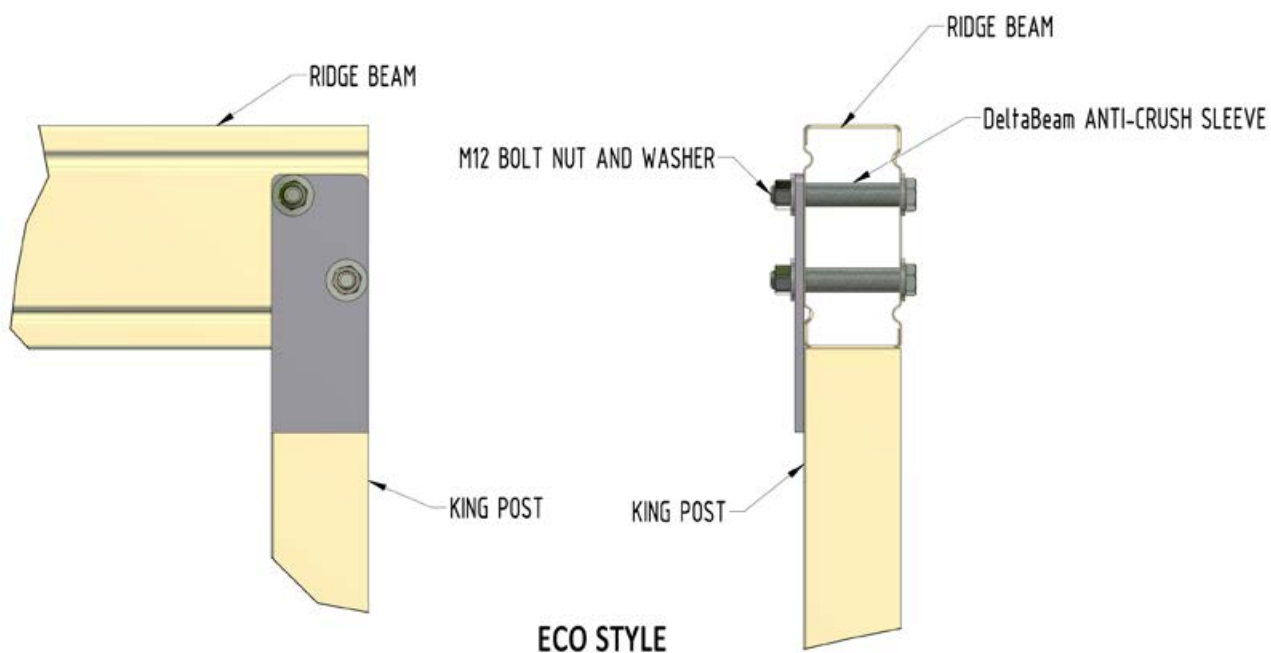


5.5 E - Connection of King Post to Ridge Post

E - 5.5.1 - Connection of King Post to Ridge Post

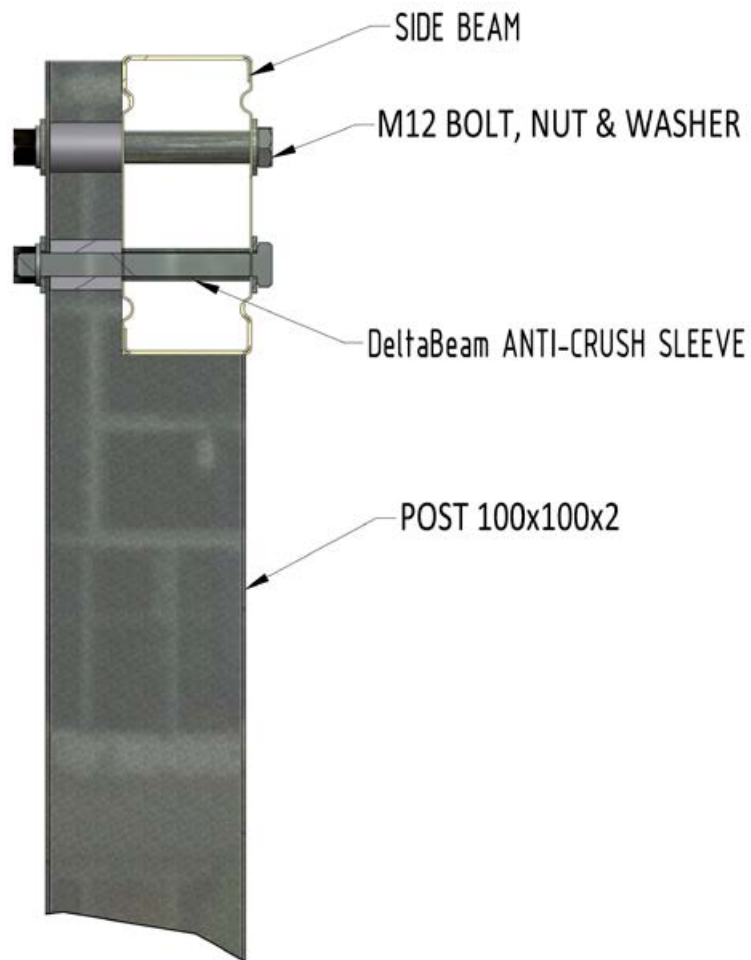


E - 5.5.2 - Connection of King Post to Ridge Post



5.6 F - Connection of Post to Side Beam

F - 5.6.1 - Connection of Post to Side Beam



5.6 F - Connection of Post to Side Beam

F - 5.6.2 - Connection of Post to Side Beam -Eco Style



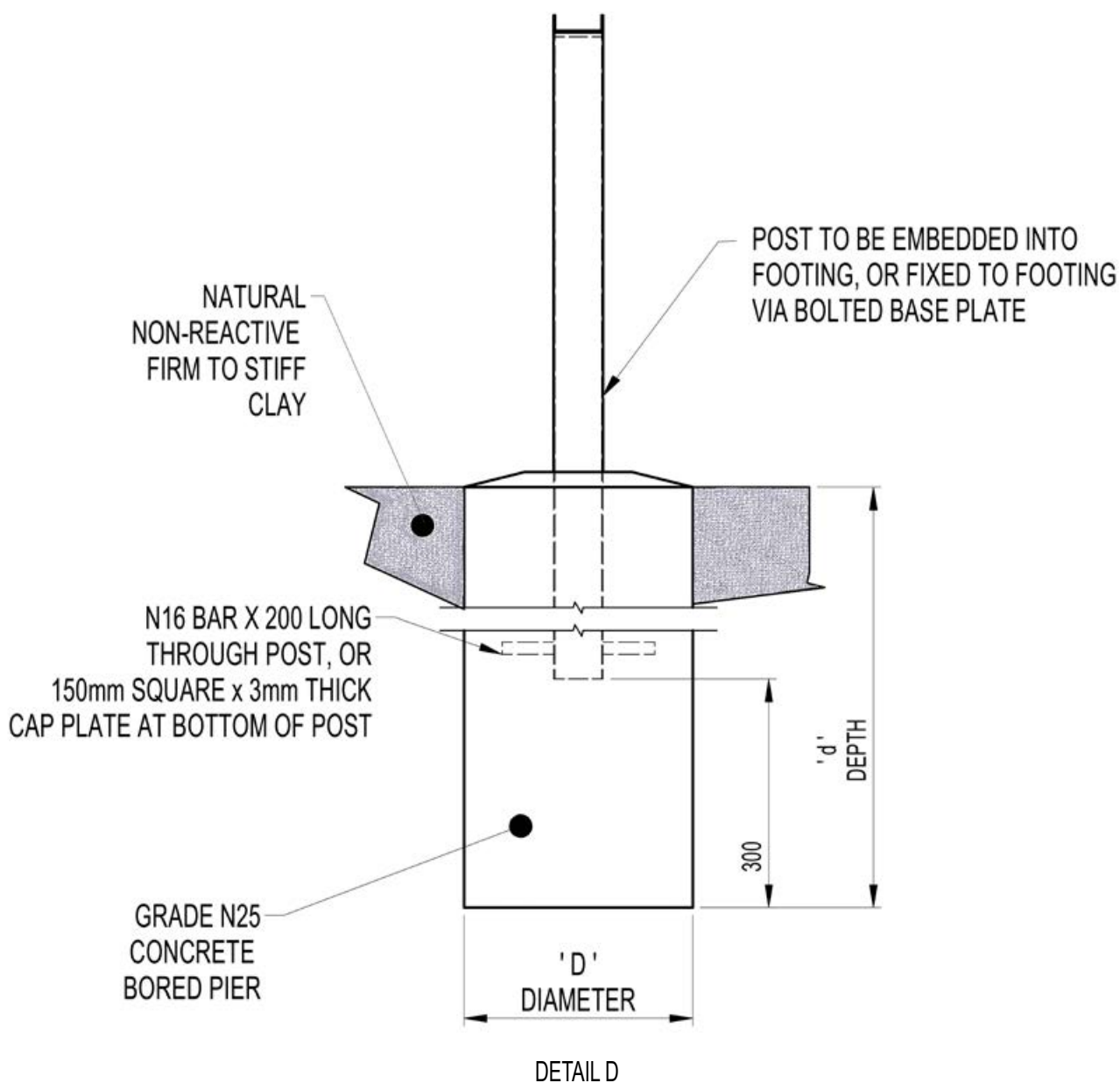
ECO STYLE

6.1 G - Bored Piers

Gable Post Assembly, Steel, Concrete

Footing Type	Diameter 'D' (mm)	Depth 'd' (mm)
1	450	1200
2	450	1600
3	450	2000
4	450	2500

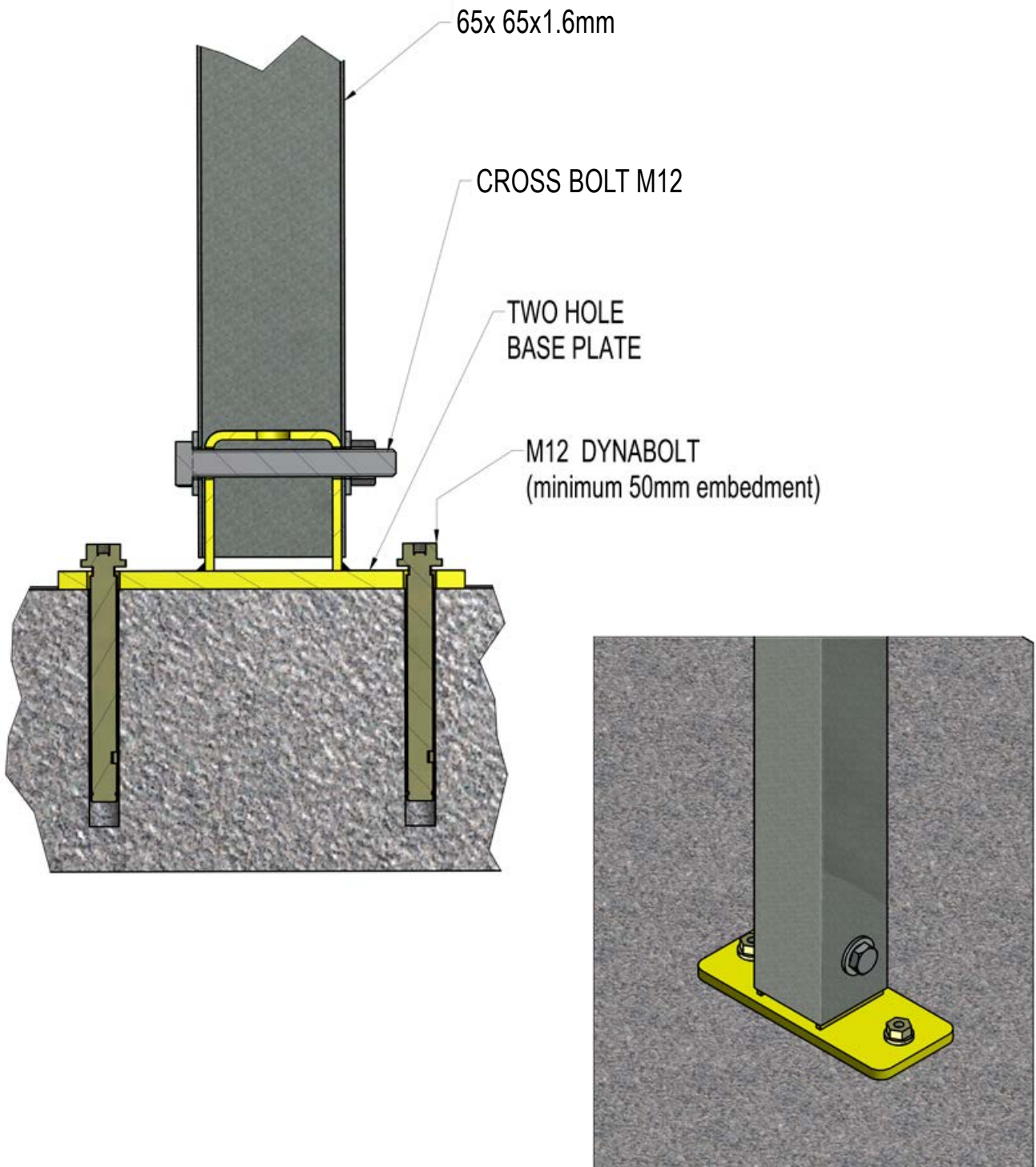
G - 6.1 - Footing Details



6.2 G - Connection to Existing Concrete Slab

Gable Post Assembly, Steel, Concrete

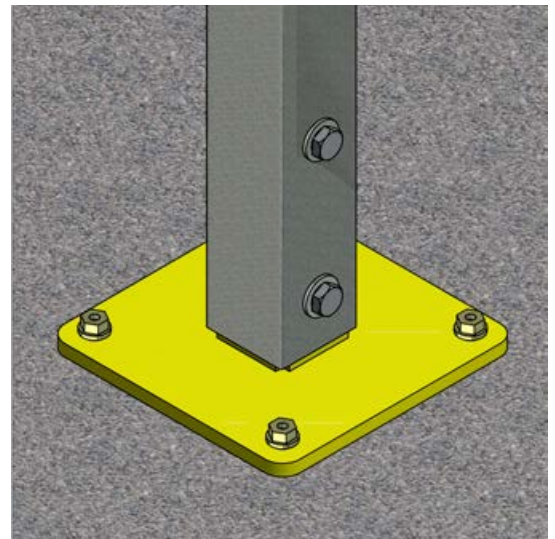
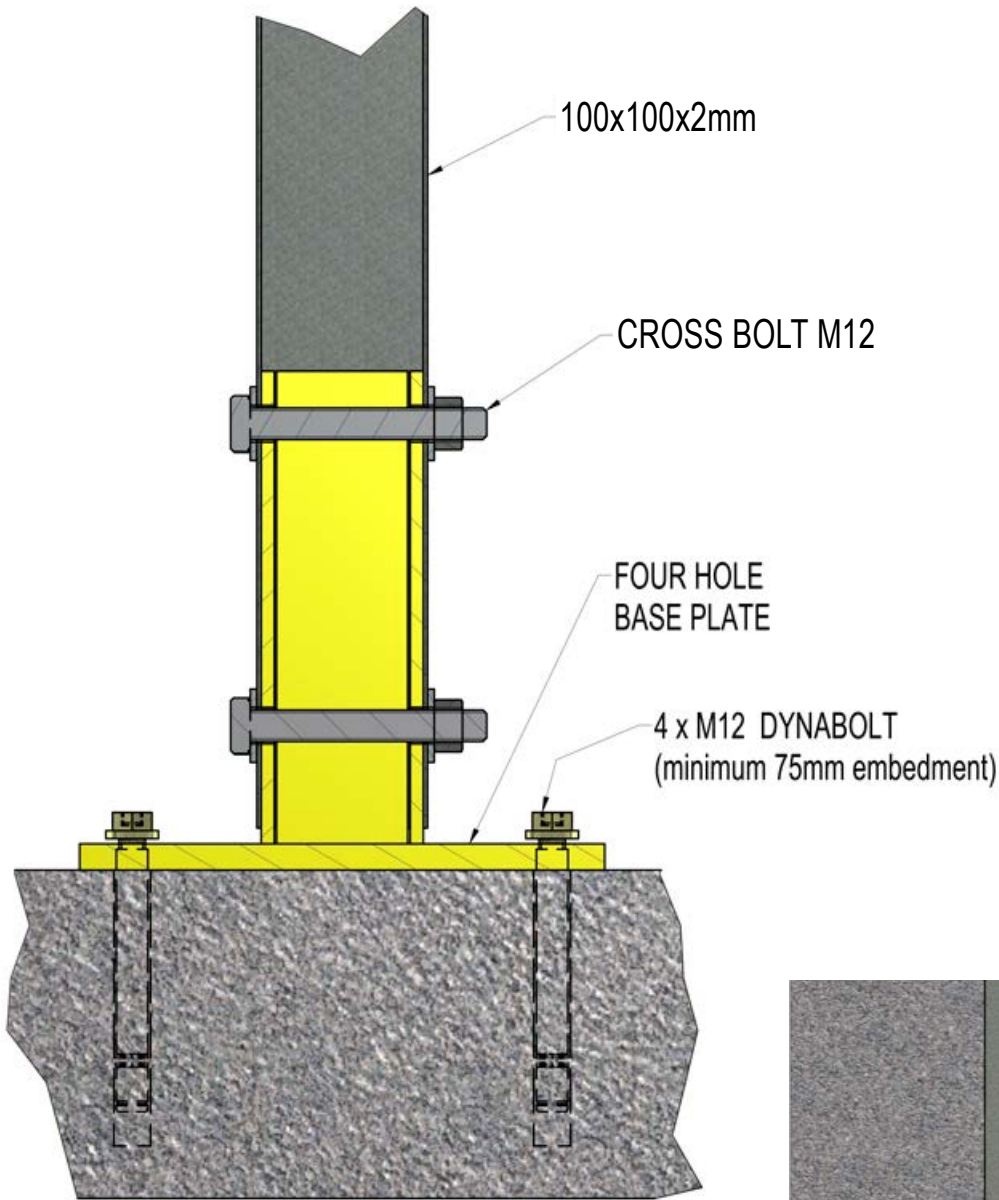
G - 6.2 - Connection to Existing Concrete Slab - Type 1



6.3 G - Connection to Existing Concrete Slab

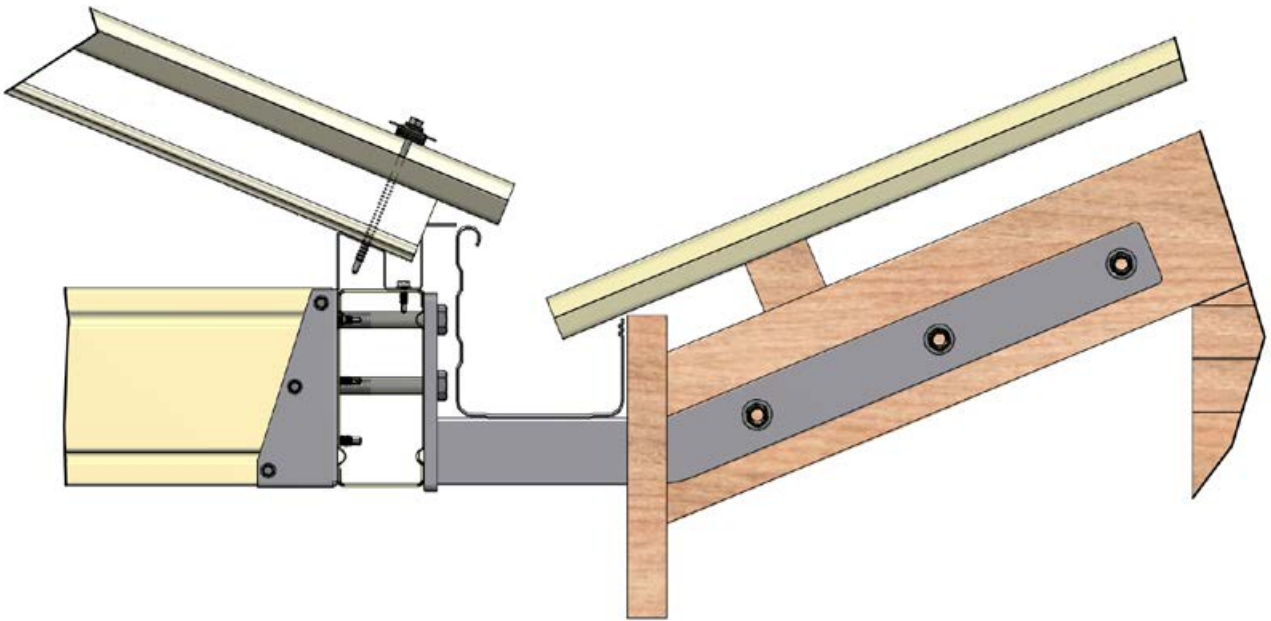
Gable Post Assembly, Steel, Concrete

G - 6.3 - Connection to Existing Concrete Slab - Type 2

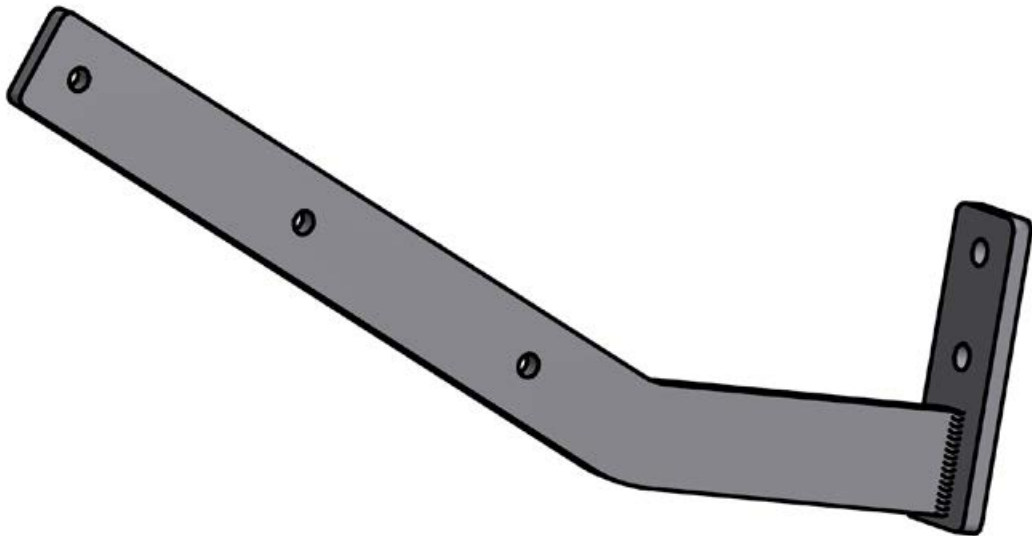


7.0 Fascia Bracket Connection

7.1 - Gable to House Connection



7.2 - Fascia Connection Bracket



STEP 8

SELECT APPROPRIATE TABLE

8.1 SPAN TABLES - KING POST / KING POST ECO

WIND CLASS N1/N2 AWNING TYPE 0 ROOF PITCH 15°

Awning Dimensions		Purlins		Roof Beam			Posts			Footings		
Width (m)	Length (m)	Ridge	Edge	Edge	Internal	Edge with OH	Single Bay	Multiple Bay	Single with OH	Single Bay	Multiple Bay	Single with OH
4	4	100	100	100	100	100	89 x 3.5	89 x 5	89 x 3.5	1	2	1
	5	100	100	100	100	100	89 x 3.5	100 x 5	89 x 5	1	2	2
	6	150	150	100	150	100	89 x 5	100 x 6	89 x 6	2	2	2
	7	150	150	100	150	100	100 x 5	125 x 4	100 x 5	2	2	2
5	4	100	100	100	150	150	89 x 3.5	89 x 6	89 x 5	1	2	2
	5	150	100	150	150	150	89 x 3.5	100 x 5	89 x 5	1	2	2
	6	150	150	150	150	150	89 x 5	125 x 4	100 x 5	2	2	2
	7	200	150	150	200	150	89 x 5	125 x 4	100 x 5	2	2	2
6	4	100	100	150	200	150	89 x 3.5	89 x 6	89 x 5	1	2	2
	5	150	100	150	200	200	89 x 3.5	100 x 5	89 x 6	1	2	2
	6	150	150	150	200	200	89 x 5	125 x 4	100 x 5	2	2	2
	7	200	150	150	250	200	89 x 6	125 x 4	100 x 6	2	3	2
7	4	100	100	150	200	200	89 x 3.5	100 x 5	89 x 5	1	2	2
	5	150	100	200	250	200	89 x 5	100 x 6	100 x 5	2	2	2
	6	150	150	200	250	250	89 x 6	125 x 4	100 x 5	2	2	2
	7	200	200	200	250	250	100 x 5	125 x 5	125 x 4	2	3	2
8	4	100	100	200	250	250	89 x 3.5	100 x 5	89 x 6	1	2	2
	5	150	150	200	250	250	89 x 5	125 x 4	100 x 5	2	2	2
	6	200	150	200	300	250	89 x 6	125 x 4	100 x 6	2	3	2
	7	250	200	250	-	250	100 x 5	-	125 x 4	2	-	2

WIND CLASS N1/N2 AWNING TYPE 0 ROOF PITCH 20°

Awning Dimensions		Purlins		Roof Beam			Posts			Footings		
Width (m)	Length (m)	Ridge	Edge	Edge	Internal	Edge with OH	Single Bay	Multiple Bay	Single with OH	Single Bay	Multiple Bay	Single with OH
4	4	100	100	100	100	100	89 x 3.5	100 x 5	89 x 6	1	2	2
	5	100	100	100	100	100	89 x 5	100 x 6	100 x 5	2	2	2
	6	150	150	100	150	100	89 x 6	125 x 4	100 x 5	2	2	2
	7	150	150	100	150	100	100 x 5	125 x 4	100 x 6	2	3	2
5	4	100	100	100	150	150	89 x 3.5	100 x 5	100 x 5	1	2	2
	5	150	100	150	150	150	89 x 5	125 x 4	100 x 5	2	2	2
	6	150	150	150	150	150	100 x 5	125 x 4	100 x 6	2	3	2
	7	200	150	150	200	150	100 x 5	125 x 5	125 x 4	2	3	2
6	4	100	100	150	200	150	89 x 5	100 x 6	100 x 5	2	2	2
	5	150	100	150	200	200	89 x 6	125 x 4	100 x 6	2	2	2
	6	150	150	150	200	200	100 x 5	125 x 5	125 x 4	2	3	2
	7	200	150	150	250	200	100 x 6	125 x 6	125 x 4	2	3	2
7	4	100	100	150	200	200	89 x 5	125 x 4	100 x 6	2	2	2
	5	150	100	200	250	200	100 x 5	125 x 4	125 x 4	2	3	2
	6	150	150	200	250	250	100 x 6	125 x 5	125 x 4	2	3	2
	7	200	200	200	250	250	125 x 4	150 x 5	125 x 4	2	3	3
8	4	100	100	200	250	250	89 x 6	125 x 4	100 x 6	2	2	2
	5	150	150	200	250	250	100 x 5	125 x 5	125 x 4	2	3	2
	6	200	150	200	300	250	100 x 6	125 x 6	125 x 4	2	3	3
	7	250	200	250	-	250	125 x 4	-	125 x 5	2	-	3

STEP 8

SELECT APPROPRIATE TABLE

8.1 SPAN TABLES - KING POST / KING POST ECO

WIND CLASS N1/N2 AWNING TYPE 0 ROOF PITCH 22.5°

Awning Dimensions		Purlins		Roof Beam			Posts			Footings		
Width (m)	Length (m)	Ridge	Edge	Edge	Internal	Edge with OH	Single Bay	Multiple Bay	Single with OH	Single Bay	Multiple Bay	Single with OH
4	4	100	100	100	100	100	89 x 3.5	100 x 6	100 x 5	1	2	2
	5	100	100	100	150	100	89 x 5	125 x 4	100 x 5	2	2	2
	6	150	150	100	150	100	100 x 5	125 x 4	125 x 4	2	3	2
	7	150	150	100	150	100	100 x 5	125 x 5	125 x 4	2	3	2
5	4	100	100	100	150	150	89 x 5	125 x 4	100 x 5	2	2	2
	5	150	100	150	150	150	89 x 6	125 x 4	100 x 6	2	2	2
	6	150	150	150	150	150	100 x 5	125 x 5	125 x 4	2	3	2
	7	200	150	150	200	150	100 x 6	125 x 6	125 x 4	2	3	2
6	4	100	100	150	200	150	89 x 5	125 x 4	100 x 6	2	2	2
	5	150	100	150	200	200	100 x 5	125 x 4	125 x 4	2	3	2
	6	150	150	150	200	200	100 x 6	125 x 6	125 x 4	2	3	3
	7	200	200	150	250	200	125 x 4	150 x 5	125 x 5	2	3	3
7	4	100	100	150	200	200	89 x 6	125 x 4	125 x 4	2	3	2
	5	150	150	200	250	200	100 x 6	125 x 5	125 x 4	2	3	2
	6	150	150	200	250	250	125 x 4	150 x 5	125 x 4	2	3	3
	7	200	200	200	250	250	125 x 4	150 x 5	125 x 5	2	4	3
8	4	100	100	200	250	250	100 x 5	125 x 4	125 x 4	2	3	2
	5	150	150	200	250	250	100 x 6	125 x 6	125 x 4	2	3	3
	6	200	150	200	300	250	125 x 4	150 x 5	125 x 5	2	3	3
	7	250	200	250	-	250	125 x 4	-	125 x 6	3	-	3

WIND CLASS N1/N2 AWNING TYPE 0 ROOF PITCH 25°

Awning Dimensions		Purlins		Roof Beam			Posts			Footings		
Width (m)	Length (m)	Ridge	Edge	Edge	Internal	Edge with OH	Single Bay	Multiple Bay	Single with OH	Single Bay	Multiple Bay	Single with OH
4	4	100	100	100	100	100	89 x 5	125 x 4	100 x 5	2	2	2
	5	100	100	100	150	100	89 x 6	125 x 4	100 x 6	2	2	2
	6	150	150	100	150	100	100 x 5	125 x 5	125 x 4	2	3	2
	7	150	150	100	150	150	100 x 6	125 x 6	125 x 4	2	3	2
5	4	100	100	100	150	150	89 x 6	125 x 4	100 x 6	2	2	2
	5	150	100	150	150	150	100 x 5	125 x 5	125 x 4	2	3	2
	6	150	150	150	150	150	100 x 6	125 x 6	125 x 4	2	3	3
	7	200	150	150	200	150	125 x 4	150 x 5	125 x 5	2	3	3
6	4	100	100	150	200	150	100 x 5	125 x 4	125 x 4	2	3	2
	5	150	100	150	200	200	100 x 5	125 x 5	125 x 4	2	3	2
	6	150	150	150	200	200	125 x 4	150 x 5	125 x 5	2	3	3
	7	200	200	150	250	200	125 x 4	150 x 5	125 x 6	3	4	3
7	4	100	100	150	200	200	100 x 5	125 x 5	125 x 4	2	3	2
	5	150	150	200	250	200	125 x 4	125 x 6	125 x 5	2	3	3
	6	200	150	200	250	250	125 x 4	150 x 5	125 x 5	2	3	3
	7	200	200	200	250	250	125 x 5	150 x 5	125 x 6	3	4	3
8	4	100	100	200	250	250	100 x 5	125 x 5	125 x 4	2	3	3
	5	150	150	200	250	250	125 x 4	150 x 5	125 x 5	2	3	3
	6	200	200	250	300	250	125 x 4	150 x 5	125 x 6	3	4	3
	7	250	250	250	-	250	125 x 5	-	150 x 5	3	-	3

STEP 8

SELECT APPROPRIATE TABLE

8.1 SPAN TABLES - KING POST / KING POST ECO

WIND CLASS | **N1/N2** | **AWNING TYPE** | **1/1P** | **ROOF PITCH** | **15°**

Awning Dimensions		Purlins		Roof Beam			Posts			Footings		
Width (m)	Length (m)	Ridge	Edge	Edge	Internal	Edge with OH	Single Bay	Multiple Bay	Single with OH	Single Bay	Multiple Bay	Single with OH
4	4	100	100	100	100	100	89 x 3.5	89 x 5	89 x 3.5	1	2	1
	5	100	100	100	150	100	89 x 3.5	100 x 5	89 x 5	1	2	2
	6	150	150	100	150	100	89 x 5	100 x 6	89 x 6	2	2	2
	7	150	150	100	150	150	89 x 5	125 x 4	100 x 5	2	2	2
5	4	100	100	100	150	150	89 x 3.5	89 x 6	89 x 5	1	2	2
	5	150	100	150	150	150	89 x 3.5	100 x 5	89 x 5	1	2	2
	6	150	150	150	200	150	89 x 5	125 x 4	100 x 5	2	2	2
	7	200	150	150	200	150	89 x 5	125 x 4	100 x 5	2	2	2
6	4	100	100	150	200	150	89 x 3.5	89 x 6	89 x 5	1	2	2
	5	150	100	150	200	200	89 x 3.5	100 x 5	89 x 6	1	2	2
	6	150	150	150	250	200	89 x 5	125 x 4	100 x 5	2	2	2
	7	200	150	200	250	200	89 x 6	125 x 4	100 x 6	2	3	2
7	4	100	100	150	250	200	89 x 3.5	100 x 5	89 x 5	1	2	2
	5	150	100	200	250	250	89 x 5	100 x 6	100 x 5	2	2	2
	6	200	150	200	250	250	89 x 6	125 x 4	100 x 5	2	2	2
	7	250	200	200	300	250	100 x 5	125 x 5	125 x 4	2	3	2
8	4	100	100	200	250	250	89 x 3.5	100 x 5	89 x 6	1	2	2
	5	150	150	200	300	250	89 x 5	125 x 4	100 x 5	2	2	2
	6	200	150	250	-	250	89 x 6	-	100 x 6	2	-	2
	7	250	200	250	-	300	100 x 5	-	125 x 4	2	-	2

WIND CLASS | **N1/N2** | **AWNING TYPE** | **1/1P** | **ROOF PITCH** | **20°**

Awning Dimensions		Purlins		Roof Beam			Posts			Footings		
Width (m)	Length (m)	Ridge	Edge	Edge	Internal	Edge with OH	Single Bay	Multiple Bay	Single with OH	Single Bay	Multiple Bay	Single with OH
4	4	100	100	100	100	100	89 x 3.5	100 x 5	89 x 6	1	2	2
	5	100	100	100	150	100	89 x 5	100 x 6	100 x 5	2	2	2
	6	150	150	100	150	100	89 x 6	125 x 4	100 x 5	2	2	2
	7	150	150	100	150	150	100 x 5	125 x 4	100 x 6	2	3	2
5	4	100	100	100	150	150	89 x 3.5	100 x 5	100 x 5	1	2	2
	5	150	100	150	150	150	89 x 5	125 x 4	100 x 5	2	2	2
	6	150	150	150	200	150	100 x 5	125 x 4	100 x 6	2	3	2
	7	200	150	150	200	150	100 x 5	125 x 5	125 x 4	2	3	2
6	4	100	100	150	200	150	89 x 5	100 x 6	100 x 5	2	2	2
	5	150	100	150	200	200	89 x 6	125 x 4	100 x 6	2	2	2
	6	150	150	150	250	200	100 x 5	125 x 5	125 x 4	2	3	2
	7	200	150	200	250	200	100 x 6	125 x 6	125 x 4	2	3	2
7	4	100	100	150	250	200	89 x 5	125 x 4	100 x 6	2	2	2
	5	150	100	200	250	250	100 x 5	125 x 4	125 x 4	2	3	2
	6	200	150	200	250	250	100 x 6	125 x 5	125 x 4	2	3	2
	7	250	200	200	300	250	125 x 4	150 x 5	125 x 4	2	3	3
8	4	100	100	200	250	250	89 x 6	125 x 4	100 x 6	2	2	2
	5	150	150	200	300	250	100 x 5	125 x 5	125 x 4	2	3	2
	6	200	150	250	-	250	100 x 6	-	125 x 4	2	-	3
	7	250	200	250	-	300	125 x 4	-	125 x 5	2	-	3

STEP 8

SELECT APPROPRIATE TABLE

8.1 SPAN TABLES - KING POST / KING POST ECO

WIND CLASS | **N1/N2** | **AWNING TYPE** | **1/1P** | **ROOF PITCH** | **22.5°**

Awning Dimensions		Purlins		Roof Beam			Posts			Footings		
Width (m)	Length (m)	Ridge	Edge	Edge	Internal	Edge with OH	Single Bay	Multiple Bay	Single with OH	Single Bay	Multiple Bay	Single with OH
4	4	100	100	100	100	100	89 x 3.5	100 x 6	100 x 5	1	2	2
	5	100	100	100	150	100	89 x 5	125 x 4	100 x 5	2	2	2
	6	150	150	100	150	100	100 x 5	125 x 4	125 x 4	2	3	2
	7	150	150	100	150	150	100 x 5	125 x 5	125 x 4	2	3	2
5	4	100	100	100	150	150	89 x 5	125 x 4	100 x 5	2	2	2
	5	150	100	150	150	150	89 x 6	125 x 4	100 x 6	2	2	2
	6	150	150	150	200	150	100 x 5	125 x 5	125 x 4	2	3	2
	7	200	150	150	200	150	100 x 6	125 x 6	125 x 4	2	3	2
6	4	100	100	150	200	150	89 x 5	125 x 4	100 x 6	2	2	2
	5	150	100	150	200	200	100 x 5	125 x 4	125 x 4	2	3	2
	6	150	150	150	250	200	100 x 6	125 x 6	125 x 4	2	3	3
	7	200	200	200	250	200	125 x 4	150 x 5	125 x 5	2	3	3
7	4	100	100	150	250	200	89 x 6	125 x 4	125 x 4	2	3	2
	5	150	150	200	250	250	100 x 6	125 x 5	125 x 4	2	3	2
	6	200	150	200	250	250	125 x 4	150 x 5	125 x 4	2	3	3
	7	250	200	200	300	250	125 x 4	150 x 5	125 x 5	2	4	3
8	4	100	100	200	250	250	100 x 5	125 x 4	125 x 4	2	3	2
	5	150	150	200	300	250	100 x 6	125 x 6	125 x 4	2	3	3
	6	200	150	250	-	250	125 x 4	-	125 x 5	2	-	3
	7	250	200	250	-	300	125 x 4	-	125 x 6	3	-	3

WIND CLASS | **N1/N2** | **AWNING TYPE** | **1/1P** | **ROOF PITCH** | **25°**

Awning Dimensions		Purlins		Roof Beam			Posts			Footings		
Width (m)	Length (m)	Ridge	Edge	Edge	Internal	Edge with OH	Single Bay	Multiple Bay	Single with OH	Single Bay	Multiple Bay	Single with OH
4	4	100	100	100	100	100	89 x 5	125 x 4	100 x 5	2	2	2
	5	100	100	100	150	100	89 x 6	125 x 4	100 x 6	2	2	2
	6	150	150	100	150	100	100 x 5	125 x 5	125 x 4	2	3	2
	7	150	150	100	150	150	100 x 6	125 x 6	125 x 4	2	3	2
5	4	100	100	100	150	150	89 x 6	125 x 4	100 x 6	2	2	2
	5	150	100	150	150	150	100 x 5	125 x 5	125 x 4	2	3	2
	6	150	150	150	200	150	100 x 6	125 x 6	125 x 4	2	3	3
	7	200	150	150	200	150	125 x 4	150 x 5	125 x 5	2	3	3
6	4	100	100	150	200	150	100 x 5	125 x 4	125 x 4	2	3	2
	5	150	100	150	200	200	100 x 5	125 x 5	125 x 4	2	3	2
	6	150	150	150	250	200	125 x 4	150 x 5	125 x 5	2	3	3
	7	200	200	200	250	200	125 x 4	150 x 5	125 x 6	3	4	3
7	4	100	100	150	250	200	100 x 5	125 x 5	125 x 4	2	3	2
	5	150	150	200	250	250	125 x 4	125 x 6	125 x 5	2	3	3
	6	200	150	200	250	250	125 x 4	150 x 5	125 x 5	2	3	3
	7	250	200	200	300	250	125 x 5	150 x 5	125 x 6	3	4	3
8	4	100	100	200	250	250	100 x 5	125 x 5	125 x 4	2	3	3
	5	150	150	200	300	250	125 x 4	150 x 5	125 x 5	2	3	3
	6	200	200	250	-	250	125 x 4	-	125 x 6	3	-	3
	7	250	250	250	-	300	125 x 5	-	150 x 5	3	-	3

STEP 8

SELECT APPROPRIATE TABLE

8.1 SPAN TABLES - KING POST / KING POST ECO

WIND CLASS N1/N2 AWNING TYPE 2 ROOF PITCH 15°

Awning Dimensions		Purlins		Roof Beam			Posts			Footings		
Width (m)	Length (m)	Ridge	Edge	Edge	Internal	Edge with OH	Single Bay	Multiple Bay	Single with OH	Single Bay	Multiple Bay	Single with OH
4	4	100	100	100	150	100	89 x 3.5	89 x 5	89 x 3.5	1	2	1
	5	150	100	100	150	150	89 x 3.5	100 x 5	89 x 5	1	2	2
	6	150	150	100	150	150	89 x 5	100 x 6	89 x 6	2	2	2
	7	200	150	100	200	150	89 x 5	125 x 4	100 x 5	2	2	2
5	4	100	100	100	200	150	89 x 3.5	89 x 6	89 x 5	1	2	2
	5	150	100	150	200	150	89 x 3.5	100 x 5	89 x 5	1	2	2
	6	200	150	150	250	200	89 x 5	125 x 4	100 x 5	2	2	2
	7	250	200	150	250	200	89 x 6	125 x 4	100 x 6	2	3	2
6	4	150	100	150	250	200	89 x 3.5	89 x 6	89 x 5	1	2	2
	5	150	150	150	250	200	89 x 5	100 x 5	100 x 5	2	2	2
	6	200	150	200	250	250	89 x 5	125 x 4	100 x 5	2	2	2
	7	250	200	200	250	250	100 x 5	125 x 4	100 x 6	2	3	2
7	4	150	100	200	250	250	89 x 3.5	100 x 5	89 x 5	1	2	2
	5	200	150	200	250	250	89 x 5	125 x 4	100 x 5	2	2	2
	6	250	200	250	300	250	89 x 6	125 x 4	100 x 6	2	3	2
	7	250	250	250	-	250	100 x 5	-	125 x 4	2	-	2
8	4	150	100	200	300	250	89 x 3.5	100 x 5	89 x 6	1	2	2
	5	200	150	250	-	300	89 x 5	-	100 x 5	2	-	2
	6	250	200	250	-	300	100 x 5	-	100 x 6	2	-	2
	7	250	250	250	-	-	100 x 6	-	-	2	-	-

WIND CLASS N1/N2 AWNING TYPE 2 ROOF PITCH 20°

Awning Dimensions		Purlins		Roof Beam			Posts			Footings		
Width (m)	Length (m)	Ridge	Edge	Edge	Internal	Edge with OH	Single Bay	Multiple Bay	Single with OH	Single Bay	Multiple Bay	Single with OH
4	4	100	100	100	150	100	89 x 3.5	100 x 5	89 x 6	1	2	2
	5	150	100	100	150	150	89 x 5	100 x 6	100 x 5	2	2	2
	6	150	150	100	150	150	89 x 6	125 x 4	100 x 5	2	2	2
	7	200	150	100	200	150	100 x 5	125 x 4	100 x 6	2	3	2
5	4	100	100	100	200	150	89 x 3.5	100 x 5	100 x 5	1	2	2
	5	150	100	150	200	150	89 x 5	125 x 4	100 x 5	2	2	2
	6	200	150	150	250	200	100 x 5	125 x 4	100 x 6	2	3	2
	7	250	200	150	250	200	100 x 6	125 x 5	125 x 4	2	3	2
6	4	150	100	150	250	200	89 x 5	100 x 6	100 x 5	2	2	2
	5	150	150	150	250	200	89 x 6	125 x 4	100 x 6	2	3	2
	6	200	150	200	250	250	100 x 5	125 x 5	125 x 4	2	3	2
	7	250	200	200	250	250	100 x 6	125 x 6	125 x 4	2	3	3
7	4	150	100	200	250	250	89 x 5	125 x 4	100 x 6	2	2	2
	5	200	150	200	250	250	100 x 5	125 x 4	125 x 4	2	3	2
	6	250	200	250	300	250	100 x 6	125 x 6	125 x 4	2	3	3
	7	250	250	250	-	250	125 x 4	-	125 x 5	2	-	3
8	4	150	100	200	300	250	89 x 6	125 x 4	100 x 6	2	2	2
	5	200	150	250	-	300	100 x 5	-	125 x 4	2	-	2
	6	250	200	250	-	300	125 x 4	-	125 x 4	2	-	3
	7	250	250	250	-	-	125 x 4	-	-	2	-	-

STEP 8

SELECT APPROPRIATE TABLE

8.1 SPAN TABLES - KING POST / KING POST ECO

WIND CLASS N1/N2 **AWNING TYPE** 2 **ROOF PITCH** 22.5°

Awning Dimensions		Purlins		Roof Beam			Posts			Footings		
Width (m)	Length (m)	Ridge	Edge	Edge	Internal	Edge with OH	Single Bay	Multiple Bay	Single with OH	Single Bay	Multiple Bay	Single with OH
4	4	100	100	100	150	100	89 x 3.5	100 x 6	100 x 5	1	2	2
	5	150	100	100	150	150	89 x 5	125 x 4	100 x 5	2	2	2
	6	150	150	100	150	150	100 x 5	125 x 4	125 x 4	2	3	2
	7	200	150	100	200	150	100 x 5	125 x 5	125 x 4	2	3	2
5	4	100	100	100	200	150	89 x 5	125 x 4	100 x 5	2	2	2
	5	150	100	150	200	150	89 x 6	125 x 4	100 x 6	2	2	2
	6	200	150	150	250	200	100 x 5	125 x 5	125 x 4	2	3	2
	7	250	200	150	250	200	125 x 4	125 x 6	125 x 4	2	3	3
6	4	150	100	150	250	200	89 x 5	125 x 4	100 x 6	2	2	2
	5	150	150	150	250	200	100 x 5	125 x 5	125 x 4	2	3	2
	6	200	150	200	250	250	100 x 6	125 x 6	125 x 4	2	3	3
	7	250	200	200	250	250	125 x 4	150 x 5	125 x 5	2	3	3
7	4	150	100	200	200	250	89 x 6	125 x 4	125 x 4	2	3	2
	5	200	150	200	250	250	100 x 6	125 x 5	125 x 4	2	3	2
	6	250	200	250	300	250	125 x 4	150 x 5	125 x 5	2	3	3
	7	250	250	250	-	250	125 x 4	-	125 x 6	3	-	3
8	4	150	100	200	300	250	100 x 5	125 x 4	125 x 4	2	3	2
	5	200	150	250	-	300	100 x 6	-	125 x 4	2	-	3
	6	250	200	250	-	300	125 x 4	-	125 x 5	2	-	3
	7	250	250	250	-	-	125 x 4	-	-	3	-	-

WIND CLASS N1/N2 **AWNING TYPE** 2 **ROOF PITCH** 25°

Awning Dimensions		Purlins		Roof Beam			Posts			Footings		
Width (m)	Length (m)	Ridge	Edge	Edge	Internal	Edge with OH	Single Bay	Multiple Bay	Single with OH	Single Bay	Multiple Bay	Single with OH
4	4	100	100	100	150	100	89 x 5	125 x 4	100 x 5	2	2	2
	5	150	100	100	150	150	89 x 6	125 x 4	100 x 6	2	2	2
	6	150	150	100	150	150	100 x 5	125 x 5	125 x 4	2	3	2
	7	200	150	100	200	150	100 x 6	125 x 6	125 x 4	2	3	2
5	4	100	100	100	200	150	89 x 6	125 x 4	100 x 6	2	2	2
	5	150	100	150	200	150	100 x 5	125 x 5	125 x 4	2	3	2
	6	200	150	150	250	200	100 x 6	125 x 6	125 x 4	2	3	3
	7	250	200	150	250	200	125 x 4	150 x 5	125 x 5	2	3	3
6	4	150	100	150	250	200	100 x 5	125 x 4	125 x 4	2	3	2
	5	150	150	150	250	200	100 x 6	125 x 6	125 x 4	2	3	3
	6	200	150	200	250	250	125 x 4	150 x 5	125 x 5	2	3	3
	7	250	200	200	250	250	125 x 4	150 x 5	125 x 6	3	4	3
7	4	150	100	200	250	250	100 x 5	125 x 5	125 x 4	2	3	2
	5	200	150	200	250	250	125 x 4	125 x 6	125 x 5	2	3	3
	6	250	200	250	300	250	125 x 4	150 x 5	125 x 6	2	4	3
	7	250	200	250	-	250	125 x 5	-	125 x 6	3	-	3
8	4	150	100	200	300	250	100 x 5	125 x 5	125 x 4	2	3	3
	5	200	150	250	-	300	125 x 4	-	125 x 5	2	-	3
	6	250	200	250	-	300	125 x 4	-	125 x 6	3	-	3
	7	250	250	250	-	-	125 x 5	-	-	3	-	-

STEP 8

SELECT APPROPRIATE TABLE

8.1 SPAN TABLES - KING POST / KING POST ECO

WIND CLASS

N1/N2

AWNING TYPE

3

ROOF PITCH

15°

Awning Dimensions		Purlins		Roof Beam			Posts			Footings		
Width (m)	Length (m)	Ridge	Edge	Edge	Internal	Edge with OH	Single Bay	Multiple Bay	Single with OH	Single Bay	Multiple Bay	Single with OH
4	4	100	100	100	150	150	89 x 3.5	89 x 5	89 x 3.5	1	2	1
	5	150	100	100	150	150	89 x 3.5	100 x 5	89 x 5	1	2	2
	6	200	150	150	200	150	89 x 5	100 x 6	89 x 6	2	2	2
	7	250	200	150	200	150	89 x 6	125 x 4	100 x 5	2	2	2
5	4	150	100	150	200	200	89 x 3.5	89 x 6	89 x 5	1	2	2
	5	150	150	150	250	200	89 x 3.5	100 x 5	89 x 6	1	2	2
	6	200	150	150	250	200	89 x 5	125 x 4	100 x 5	2	2	2
	7	250	200	200	250	200	89 x 6	125 x 4	100 x 6	2	3	2
6	4	150	100	150	250	250	89 x 3.5	89 x 6	89 x 5	1	2	2
	5	200	150	200	250	250	89 x 5	100 x 6	100 x 5	2	2	2
	6	250	200	200	300	250	89 x 6	125 x 4	100 x 5	2	3	2
	7	250	250	250	300	250	100 x 5	125 x 5	125 x 4	2	3	2
7	4	150	100	200	250	250	89 x 3.5	100 x 5	89 x 5	1	2	2
	5	200	150	250	300	250	89 x 5	125 x 4	100 x 5	2	3	2
	6	250	200	250	-	300	89 x 6	-	100 x 6	2	-	2
	7	300	250	250	-	300	100 x 5	-	125 x 4	2	-	2
8	4	150	150	250	-	300	89 x 3.5	-	100 x 5	1	-	2
	5	250	150	250	-	-	89 x 5	-	-	2	-	-
	6	250	200	250	-	-	100 x 5	-	-	2	-	-
	7	300	250	300	-	-	100 x 6	-	-	2	-	-

WIND CLASS

N1/N2

AWNING TYPE

3

ROOF PITCH

20°

Awning Dimensions		Purlins		Roof Beam			Posts			Footings		
Width (m)	Length (m)	Ridge	Edge	Edge	Internal	Edge with OH	Single Bay	Multiple Bay	Single with OH	Single Bay	Multiple Bay	Single with OH
4	4	100	100	100	150	150	89 x 3.5	100 x 5	89 x 6	1	2	2
	5	150	100	100	150	150	89 x 5	100 x 6	100 x 5	2	2	2
	6	200	150	150	200	150	89 x 6	125 x 4	100 x 5	2	2	2
	7	250	200	150	200	150	100 x 5	125 x 5	125 x 4	2	3	2
5	4	150	100	150	200	200	89 x 3.5	100 x 5	100 x 5	1	2	2
	5	150	150	150	250	200	89 x 5	125 x 4	100 x 5	2	2	2
	6	200	150	150	250	200	100 x 5	125 x 4	100 x 6	2	3	2
	7	250	200	200	250	200	100 x 6	125 x 5	125 x 4	2	3	2
6	4	150	100	150	250	250	89 x 5	100 x 6	100 x 5	2	2	2
	5	200	150	200	250	250	89 x 6	125 x 4	100 x 6	2	3	2
	6	250	200	200	300	250	100 x 5	125 x 5	125 x 4	2	3	2
	7	250	250	250	300	250	125 x 4	150 x 5	125 x 4	2	3	3
7	4	150	100	200	250	250	89 x 5	125 x 4	100 x 6	2	2	2
	5	200	150	250	300	250	100 x 5	125 x 4	125 x 4	2	3	2
	6	250	200	250	-	300	100 x 6	-	125 x 4	2	-	3
	7	300	250	250	-	300	125 x 4	-	125 x 5	2	-	3
8	4	150	150	250	-	300	89 x 6	-	125 x 4	2	-	2
	5	250	150	250	-	-	100 x 5	-	-	2	-	-
	6	250	200	250	-	-	125 x 4	-	-	2	-	-
	7	300	250	300	-	-	125 x 4	-	-	2	-	-

STEP 8

SELECT APPROPRIATE TABLE

8.1 SPAN TABLES - KING POST / KING POST ECO

WIND CLASS N1/N2 AWNING TYPE 3 ROOF PITCH 22.5°

Awning Dimensions		Purlins		Roof Beam			Posts			Footings		
Width (m)	Length (m)	Ridge	Edge	Edge	Internal	Edge with OH	Single Bay	Multiple Bay	Single with OH	Single Bay	Multiple Bay	Single with OH
4	4	100	100	100	150	150	89 x 3.5	100 x 6	100 x 5	1	2	2
	5	150	100	100	150	150	89 x 5	125 x 4	100 x 5	2	2	2
	6	200	150	150	200	150	100 x 5	125 x 4	125 x 4	2	3	2
	7	250	200	150	200	150	100 x 6	125 x 6	125 x 4	2	3	2
5	4	150	100	150	200	200	89 x 5	125 x 4	100 x 5	2	2	2
	5	150	150	150	250	200	100 x 5	125 x 4	125 x 4	2	3	2
	6	200	150	150	250	200	100 x 5	125 x 5	125 x 4	2	3	2
	7	250	200	200	250	200	125 x 4	125 x 6	125 x 4	2	3	3
6	4	150	100	150	250	250	89 x 5	125 x 4	100 x 6	2	2	2
	5	200	150	200	250	250	100 x 5	125 x 5	125 x 4	2	3	2
	6	250	200	200	300	250	100 x 6	125 x 6	125 x 4	2	3	3
	7	250	250	250	300	250	125 x 4	150 x 5	125 x 5	2	3	3
7	4	150	100	200	250	250	89 x 6	125 x 4	125 x 4	2	3	2
	5	200	150	250	300	250	100 x 6	125 x 5	125 x 4	2	3	2
	6	250	200	250	-	300	125 x 4	-	125 x 5	2	-	3
	7	300	250	250	-	300	125 x 4	-	125 x 6	3	-	3
8	4	150	150	250	-	300	100 x 5	-	125 x 4	2	-	2
	5	250	150	250	-	-	100 x 6	-	-	2	-	-
	6	250	200	250	-	-	125 x 4	-	-	2	-	-
	7	300	250	300	-	-	125 x 4	-	-	3	-	-

WIND CLASS N1/N2 AWNING TYPE 3 ROOF PITCH 25°

Awning Dimensions		Purlins		Roof Beam			Posts			Footings		
Width (m)	Length (m)	Ridge	Edge	Edge	Internal	Edge with OH	Single Bay	Multiple Bay	Single with OH	Single Bay	Multiple Bay	Single with OH
4	4	100	100	100	150	150	89 x 5	125 x 4	100 x 5	2	2	2
	5	150	100	100	150	150	89 x 6	125 x 4	100 x 6	2	2	2
	6	200	150	150	200	150	100 x 5	125 x 5	125 x 4	2	3	2
	7	250	200	150	200	150	125 x 4	125 x 6	125 x 4	2	3	3
5	4	150	100	150	200	200	89 x 6	125 x 4	100 x 6	2	2	2
	5	150	150	150	250	200	100 x 5	125 x 5	125 x 4	2	3	2
	6	200	150	150	250	200	100 x 6	125 x 6	125 x 4	2	3	3
	7	250	200	200	250	200	125 x 4	150 x 5	125 x 5	2	3	3
6	4	150	100	150	250	250	100 x 5	125 x 4	125 x 4	2	3	2
	5	200	150	200	250	250	100 x 6	125 x 6	125 x 4	2	3	3
	6	250	200	200	300	250	125 x 4	150 x 5	125 x 5	2	3	3
	7	250	250	250	300	250	125 x 4	150 x 5	125 x 6	3	4	3
7	4	150	100	200	250	250	100 x 5	125 x 5	125 x 4	2	3	2
	5	200	150	250	300	250	125 x 4	125 x 6	125 x 5	2	3	3
	6	250	200	250	-	300	125 x 4	-	125 x 6	2	-	3
	7	300	250	250	-	300	125 x 5	-	150 x 5	3	-	3
8	4	150	150	250	-	300	100 x 6	-	125 x 4	2	-	3
	5	250	150	250	-	-	125 x 4	-	-	2	-	-
	6	250	200	250	-	-	125 x 4	-	-	3	-	-
	7	300	250	300	-	-	125 x 5	-	-	3	-	-

STEP 8

SELECT APPROPRIATE TABLE

8.1 SPAN TABLES - KING POST / KING POST ECO

WIND CLASS

N3

AWNING TYPE

0

ROOF PITCH

15°

Awning Dimensions		Purlins		Roof Beam			Posts			Footings		
Width (m)	Length (m)	Ridge	Edge	Edge	Internal	Edge with OH	Single Bay	Multiple Bay	Single with OH	Single Bay	Multiple Bay	Single with OH
4	4	100	100	100	100	100	89 x 3.5	100 x 5	89 x 6	1	2	2
	5	100	100	100	150	100	89 x 5	125 x 4	100 x 5	2	2	2
	6	150	150	100	150	150	100 x 5	125 x 4	100 x 6	2	3	2
	7	200	150	100	150	150	100 x 5	125 x 5	125 x 4	2	3	2
5	4	100	100	100	150	150	89 x 5	100 x 6	100 x 5	2	2	2
	5	150	100	150	200	150	89 x 5	125 x 4	100 x 5	2	2	2
	6	150	150	150	200	150	100 x 5	125 x 5	125 x 4	2	3	2
	7	200	150	150	250	200	100 x 6	125 x 6	125 x 4	2	3	2
6	4	100	100	150	200	200	89 x 5	125 x 4	100 x 5	2	2	2
	5	150	100	150	250	200	89 x 6	125 x 4	100 x 6	2	3	2
	6	200	150	200	250	200	100 x 5	125 x 5	125 x 4	2	3	2
	7	250	200	200	250	250	125 x 4	150 x 5	125 x 4	2	3	3
7	4	100	100	150	250	250	89 x 5	125 x 4	100 x 6	2	2	2
	5	150	150	200	250	250	100 x 5	125 x 5	125 x 4	2	3	2
	6	200	150	200	300	250	100 x 6	125 x 6	125 x 4	2	3	3
	7	250	200	250	-	250	125 x 4	-	125 x 5	2	-	3
8	4	150	100	200	250	250	89 x 6	125 x 4	100 x 6	2	2	2
	5	150	150	250	300	250	100 x 5	125 x 5	125 x 4	2	3	2
	6	250	150	250	-	300	100 x 6	-	125 x 4	2	-	3
	7	250	200	250	-	300	125 x 4	-	125 x 5	2	-	3

WIND CLASS

N3

AWNING TYPE

0

ROOF PITCH

20°

Awning Dimensions		Purlins		Roof Beam			Posts			Footings		
Width (m)	Length (m)	Ridge	Edge	Edge	Internal	Edge with OH	Single Bay	Multiple Bay	Single with OH	Single Bay	Multiple Bay	Single with OH
4	4	100	100	100	150	100	89 x 5	125 x 4	100 x 6	2	2	2
	5	100	100	100	150	100	100 x 5	125 x 4	125 x 4	2	3	2
	6	150	150	100	150	150	100 x 6	125 x 6	125 x 4	2	3	3
	7	200	150	100	150	150	125 x 4	150 x 5	125 x 4	2	3	3
5	4	100	100	100	150	150	89 x 6	125 x 4	125 x 4	2	3	2
	5	150	100	150	200	150	100 x 5	125 x 5	125 x 4	2	3	2
	6	150	150	150	200	150	125 x 4	150 x 5	125 x 5	2	3	3
	7	200	200	150	250	200	125 x 4	150 x 5	125 x 6	3	4	3
6	4	100	100	150	200	200	100 x 5	125 x 5	125 x 4	2	3	2
	5	150	150	150	250	200	100 x 6	125 x 6	125 x 4	2	3	3
	6	200	150	200	250	200	125 x 4	150 x 5	125 x 5	2	3	3
	7	250	200	200	250	250	125 x 5	150 x 5	125 x 6	3	4	3
7	4	100	100	150	250	250	100 x 5	125 x 5	125 x 4	2	3	3
	5	150	150	200	250	250	125 x 4	150 x 5	125 x 5	2	3	3
	6	200	200	200	300	250	125 x 4	150 x 5	125 x 6	3	4	3
	7	250	250	250	-	250	125 x 5	-	150 x 5	3	-	3
8	4	150	100	200	250	250	100 x 6	125 x 6	125 x 4	2	3	3
	5	150	150	250	-	250	125 x 4	-	125 x 6	2	-	3
	6	250	200	250	-	300	125 x 5	-	150 x 5	3	-	3
	7	250	250	250	-	300	125 x 6	-	150 x 5	3	-	4

STEP 8

SELECT APPROPRIATE TABLE

8.1 SPAN TABLES - KING POST / KING POST ECO

WIND CLASS N3 **AWNING TYPE** 0 **ROOF PITCH** 22.5°

Awning Dimensions		Purlins		Roof Beam			Posts			Footings		
Width (m)	Length (m)	Ridge	Edge	Edge	Internal	Edge with OH	Single Bay	Multiple Bay	Single with OH	Single Bay	Multiple Bay	Single with OH
4	4	100	100	100	150	100	89 x 6	125 x 4	125 x 4	2	3	2
	5	100	100	100	150	100	100 x 5	125 x 5	125 x 4	2	3	2
	6	150	150	100	150	150	125 x 4	150 x 5	125 x 5	2	3	3
	7	200	150	100	150	150	125 x 4	150 x 5	125 x 5	3	4	3
5	4	100	100	100	150	150	100 x 5	125 x 5	125 x 4	2	3	2
	5	150	150	150	200	150	125 x 4	150 x 5	125 x 5	2	3	3
	6	150	150	150	200	150	125 x 4	150 x 5	125 x 5	2	4	3
	7	200	200	150	250	200	125 x 5	150 x 5	150 x 5	3	4	3
6	4	100	100	150	200	200	100 x 6	125 x 6	125 x 4	2	3	3
	5	150	150	150	250	200	125 x 4	150 x 5	125 x 5	2	3	3
	6	200	200	200	250	200	125 x 5	150 x 5	150 x 5	3	4	3
	7	250	250	200	250	250	125 x 6	150 x 6	150 x 5	3	4	4
7	4	100	100	150	250	250	125 x 4	125 x 6	125 x 5	2	3	3
	5	150	150	200	250	250	125 x 4	150 x 5	125 x 6	3	4	3
	6	200	200	200	300	250	125 x 5	150 x 6	150 x 5	3	4	3
	7	250	250	250	-	250	125 x 6	-	150 x 5	3	-	4
8	4	150	150	200	250	250	125 x 4	150 x 5	125 x 6	2	3	3
	5	150	150	250	-	250	125 x 4	-	150 x 5	3	-	3
	6	250	200	250	-	300	125 x 6	-	150 x 5	3	-	4
	7	250	250	250	-	300	150 x 5	-	150 x 5	3	-	4

WIND CLASS N3 **AWNING TYPE** 0 **ROOF PITCH** 25°

Awning Dimensions		Purlins		Roof Beam			Posts			Footings		
Width (m)	Length (m)	Ridge	Edge	Edge	Internal	Edge with OH	Single Bay	Multiple Bay	Single with OH	Single Bay	Multiple Bay	Single with OH
4	4	100	100	100	150	100	100 x 5	125 x 5	125 x 4	2	3	2
	5	100	100	100	150	100	100 x 6	125 x 6	125 x 4	2	3	3
	6	150	150	100	150	150	125 x 4	150 x 5	125 x 5	2	4	3
	7	200	200	100	150	150	125 x 5	150 x 5	125 x 6	3	4	3
5	4	100	100	100	150	150	100 x 6	125 x 6	125 x 4	2	3	3
	5	150	150	150	200	150	125 x 4	150 x 5	125 x 5	2	3	3
	6	150	150	150	200	150	125 x 4	150 x 5	125 x 6	3	4	3
	7	200	200	150	250	200	125 x 5	150 x 6	150 x 5	3	4	3
6	4	100	100	150	200	200	125 x 4	150 x 5	125 x 5	2	3	3
	5	150	150	150	250	200	125 x 4	150 x 5	125 x 6	3	4	3
	6	200	200	200	250	200	125 x 5	150 x 6	150 x 5	3	4	3
	7	250	250	200	250	250	150 x 5	200 x 5	150 x 5	3	4	4
7	4	100	100	150	250	250	125 x 4	150 x 5	125 x 6	2	3	3
	5	150	150	200	250	250	125 x 5	150 x 5	150 x 5	3	4	3
	6	200	200	200	300	250	125 x 6	200 x 5	150 x 5	3	4	4
	7	250	250	250	-	250	150 x 5	-	150 x 5	3	-	4
8	4	150	150	200	250	250	125 x 4	150 x 5	150 x 5	3	4	3
	5	150	150	250	-	250	125 x 5	-	150 x 5	3	-	4
	6	250	250	250	-	300	150 x 5	-	150 x 5	3	-	4
	7	250	250	250	-	300	150 x 5	-	150 x 6	4	-	4

STEP 8

SELECT APPROPRIATE TABLE

8.1 SPAN TABLES - KING POST / KING POST ECO

WIND CLASS

N3

AWNING TYPE

1/1P

ROOF PITCH

15°

Awning Dimensions		Purlins		Roof Beam			Posts			Footings		
Width (m)	Length (m)	Ridge	Edge	Edge	Internal	Edge with OH	Single Bay	Multiple Bay	Single with OH	Single Bay	Multiple Bay	Single with OH
4	4	100	100	100	150	150	89 x 3.5	100 x 5	89 x 6	1	2	2
	5	150	100	100	150	150	89 x 5	125 x 4	100 x 5	2	2	2
	6	200	150	100	200	150	100 x 5	125 x 4	100 x 6	2	3	2
	7	200	150	150	200	150	100 x 5	125 x 5	125 x 4	2	3	2
5	4	100	100	150	200	150	89 x 5	100 x 6	100 x 5	2	2	2
	5	150	100	150	200	200	89 x 5	125 x 4	100 x 5	2	2	2
	6	200	150	150	250	200	100 x 5	125 x 5	125 x 4	2	3	2
	7	250	200	150	250	200	100 x 6	125 x 6	125 x 4	2	3	3
6	4	150	100	150	250	200	89 x 5	125 x 4	100 x 5	2	2	2
	5	200	150	200	250	250	100 x 5	125 x 4	125 x 4	2	3	2
	6	250	150	200	250	250	100 x 5	125 x 5	125 x 4	2	3	2
	7	250	200	200	300	250	125 x 4	150 x 5	125 x 4	2	3	3
7	4	150	100	200	250	250	89 x 5	125 x 4	100 x 6	2	2	2
	5	200	150	200	300	250	100 x 5	125 x 5	125 x 4	2	3	2
	6	250	200	250	-	250	125 x 4	-	125 x 4	2	-	3
	7	250	250	250	-	300	125 x 4	-	125 x 5	3	-	3
8	4	150	100	250	300	300	89 x 6	125 x 4	100 x 6	2	2	2
	5	200	150	250	-	300	100 x 5	-	125 x 4	2	-	2
	6	250	200	250	-	-	125 x 4	-	-	2	-	-
	7	300	250	300	-	-	125 x 4	-	-	3	-	-

WIND CLASS

N3

AWNING TYPE

1/1P

ROOF PITCH

20°

Awning Dimensions		Purlins		Roof Beam			Posts			Footings		
Width (m)	Length (m)	Ridge	Edge	Edge	Internal	Edge with OH	Single Bay	Multiple Bay	Single with OH	Single Bay	Multiple Bay	Single with OH
4	4	100	100	100	150	150	89 x 5	125 x 4	100 x 6	2	2	2
	5	150	100	100	150	150	100 x 5	125 x 4	125 x 4	2	3	2
	6	200	150	100	200	150	100 x 6	125 x 6	125 x 4	2	3	3
	7	200	150	150	200	150	125 x 4	150 x 5	125 x 4	2	3	3
5	4	100	100	150	200	150	89 x 6	125 x 4	125 x 4	2	3	2
	5	150	100	150	200	200	100 x 5	125 x 5	125 x 4	2	3	2
	6	200	150	150	250	200	125 x 4	150 x 5	125 x 5	2	3	3
	7	250	200	150	250	200	125 x 4	150 x 5	125 x 6	3	4	3
6	4	150	100	150	250	200	100 x 5	125 x 5	125 x 4	2	3	2
	5	150	150	200	250	250	100 x 6	125 x 6	125 x 4	2	3	3
	6	250	150	200	250	250	125 x 4	150 x 5	125 x 5	2	3	3
	7	250	200	200	300	250	125 x 5	150 x 5	125 x 6	3	4	3
7	4	150	100	200	250	250	100 x 5	125 x 5	125 x 4	2	3	3
	5	200	150	200	300	250	125 x 4	150 x 5	125 x 5	2	3	3
	6	250	200	250	-	250	125 x 4	-	125 x 6	3	-	3
	7	250	250	250	-	300	125 x 5	-	150 x 5	3	-	3
8	4	150	100	250	300	300	100 x 6	125 x 6	125 x 4	2	3	3
	5	200	150	250	-	300	125 x 4	-	125 x 6	2	-	3
	6	250	200	250	-	-	125 x 5	-	-	3	-	-
	7	300	250	300	-	-	125 x 6	-	-	3	-	-

STEP 8

SELECT APPROPRIATE TABLE

8.1 SPAN TABLES - KING POST / KING POST ECO

WIND CLASS N3 **AWNING TYPE** 1/1P **ROOF PITCH** 22.5°

Awning Dimensions		Purlins		Roof Beam			Posts			Footings		
Width (m)	Length (m)	Ridge	Edge	Edge	Internal	Edge with OH	Single Bay	Multiple Bay	Single with OH	Single Bay	Multiple Bay	Single with OH
4	4	100	100	100	150	150	89 x 6	125 x 4	125 x 4	2	3	2
	5	150	100	100	150	150	100 x 5	125 x 5	125 x 4	2	3	2
	6	200	150	100	200	150	125 x 4	150 x 5	125 x 5	2	3	3
	7	200	150	150	200	150	125 x 4	150 x 5	125 x 5	3	4	3
5	4	100	100	150	200	150	100 x 5	125 x 5	125 x 4	2	3	2
	5	150	150	150	200	200	125 x 4	150 x 5	125 x 5	2	3	3
	6	200	150	150	250	200	125 x 4	150 x 5	125 x 5	2	4	3
	7	250	200	150	250	200	125 x 5	150 x 5	150 x 5	3	4	3
6	4	150	100	150	250	200	100 x 6	125 x 6	125 x 4	2	3	3
	5	150	150	200	250	250	125 x 4	150 x 5	125 x 5	2	3	3
	6	250	200	200	250	250	125 x 5	150 x 5	150 x 5	3	4	3
	7	250	250	200	300	250	125 x 6	150 x 6	150 x 5	3	4	4
7	4	150	100	200	250	250	125 x 4	125 x 6	125 x 5	2	3	3
	5	200	150	200	300	250	125 x 4	150 x 5	125 x 6	3	4	3
	6	250	200	250	-	250	125 x 5	-	150 x 5	3	-	3
	7	250	250	250	-	300	125 x 6	-	150 x 5	3	-	4
8	4	150	150	250	300	300	125 x 4	150 x 5	125 x 6	2	3	3
	5	200	150	250	-	300	125 x 4	-	150 x 5	3	-	3
	6	250	200	250	-	-	125 x 6	-	-	3	-	-
	7	300	250	300	-	-	150 x 5	-	-	3	-	-

WIND CLASS N3 **AWNING TYPE** 1/1P **ROOF PITCH** 25°

Awning Dimensions		Purlins		Roof Beam			Posts			Footings		
Width (m)	Length (m)	Ridge	Edge	Edge	Internal	Edge with OH	Single Bay	Multiple Bay	Single with OH	Single Bay	Multiple Bay	Single with OH
4	4	100	100	100	150	150	100 x 5	125 x 5	125 x 4	2	3	2
	5	150	100	100	150	150	100 x 6	125 x 6	125 x 4	2	3	3
	6	200	150	100	200	150	125 x 4	150 x 5	125 x 5	2	4	3
	7	200	200	150	200	150	125 x 5	150 x 5	125 x 6	3	4	3
5	4	100	100	150	200	150	100 x 6	125 x 6	125 x 4	2	3	2
	5	150	150	150	200	200	125 x 4	150 x 5	125 x 5	2	3	3
	6	200	150	150	250	200	125 x 4	150 x 5	125 x 6	3	4	3
	7	250	200	150	250	200	125 x 5	150 x 6	150 x 5	3	4	3
6	4	150	100	150	250	200	125 x 4	150 x 5	125 x 5	2	3	3
	5	150	150	200	250	250	125 x 4	150 x 5	125 x 6	3	4	3
	6	250	200	200	250	250	125 x 5	150 x 6	150 x 5	3	4	3
	7	250	250	200	300	250	150 x 5	200 x 5	150 x 5	3	4	4
7	4	150	100	200	250	250	125 x 4	150 x 5	125 x 6	2	3	3
	5	200	150	200	300	250	125 x 5	150 x 5	150 x 5	3	4	3
	6	250	200	250	-	250	125 x 6	-	150 x 5	3	-	4
	7	250	250	250	-	300	150 x 5	-	150 x 5	3	-	4
8	4	150	150	250	300	300	125 x 4	150 x 5	150 x 5	3	4	3
	5	200	150	250	-	300	125 x 5	-	150 x 5	3	-	4
	6	250	250	250	-	-	150 x 5	-	-	3	-	-
	7	300	250	300	-	-	150 x 5	-	-	4	-	-

STEP 8

SELECT APPROPRIATE TABLE

8.1 SPAN TABLES - KING POST / KING POST ECO

WIND CLASS

N3

AWNING TYPE

2

ROOF PITCH

15°

Awning Dimensions		Purlins		Roof Beam			Posts			Footings		
Width (m)	Length (m)	Ridge	Edge	Edge	Internal	Edge with OH	Single Bay	Multiple Bay	Single with OH	Single Bay	Multiple Bay	Single with OH
4	4	150	100	100	150	150	89 x 3.5	100 x 5	89 x 6	1	2	2
	5	150	150	150	200	150	89 x 5	125 x 4	100 x 5	2	2	2
	6	200	150	150	200	200	100 x 5	125 x 4	100 x 6	2	3	2
	7	250	200	150	250	200	100 x 6	125 x 6	125 x 4	2	3	2
5	4	150	100	150	250	200	89 x 5	100 x 6	100 x 5	2	2	2
	5	200	150	150	250	250	89 x 6	125 x 4	100 x 6	2	3	2
	6	250	200	200	250	250	100 x 5	125 x 5	125 x 4	2	3	2
	7	250	250	200	300	250	125 x 4	150 x 5	125 x 4	2	4	3
6	4	150	150	200	250	250	89 x 5	125 x 4	100 x 6	2	2	2
	5	200	150	250	300	250	100 x 5	125 x 4	125 x 4	2	3	2
	6	250	200	250	-	250	100 x 6	-	125 x 4	2	-	3
	7	300	250	250	-	300	125 x 4	-	125 x 5	2	-	3
7	4	200	150	250	-	300	89 x 6	-	100 x 6	2	-	2
	5	250	200	250	-	300	100 x 5	-	125 x 4	2	-	2
	6	250	250	250	-	-	125 x 4	-	-	2	-	-
	7	-	-	-	-	-	-	-	-	-	-	-
8	4	200	150	250	-	-	89 x 6	-	-	2	-	-
	5	250	200	300	-	-	100 x 6	-	-	2	-	-
	6	-	-	-	-	-	-	-	-	-	-	-
	7	-	-	-	-	-	-	-	-	-	-	-

WIND CLASS

N3

AWNING TYPE

2

ROOF PITCH

20°

Awning Dimensions		Purlins		Roof Beam			Posts			Footings		
Width (m)	Length (m)	Ridge	Edge	Edge	Internal	Edge with OH	Single Bay	Multiple Bay	Single with OH	Single Bay	Multiple Bay	Single with OH
4	4	150	100	100	150	150	89 x 5	125 x 4	100 x 6	2	2	2
	5	150	150	150	200	150	100 x 5	125 x 5	125 x 4	2	3	2
	6	200	150	150	200	200	100 x 6	125 x 6	125 x 4	2	3	3
	7	250	200	150	250	200	125 x 4	150 x 5	125 x 5	2	3	3
5	4	150	100	150	250	200	89 x 6	125 x 4	125 x 4	2	3	2
	5	200	150	150	250	250	100 x 6	125 x 5	125 x 4	2	3	3
	6	250	200	200	250	250	125 x 4	150 x 5	125 x 5	2	3	3
	7	250	250	200	300	250	125 x 4	150 x 5	125 x 6	3	4	3
6	4	150	150	200	250	250	100 x 5	125 x 5	125 x 4	2	3	3
	5	200	150	250	300	250	100 x 6	125 x 6	125 x 4	2	3	3
	6	250	200	250	-	250	125 x 4	-	125 x 6	3	-	3
	7	300	250	250	-	300	125 x 5	-	150 x 5	3	-	3
7	4	200	150	250	-	300	100 x 6	-	125 x 4	2	-	3
	5	250	200	250	-	300	125 x 4	-	125 x 5	2	-	3
	6	250	250	250	-	-	125 x 5	-	-	3	-	-
	7	-	-	-	-	-	-	-	-	-	-	-
8	4	200	150	250	-	-	100 x 6	-	-	2	-	-
	5	250	200	300	-	-	125 x 4	-	-	3	-	-
	6	-	-	-	-	-	-	-	-	-	-	-
	7	-	-	-	-	-	-	-	-	-	-	-

STEP 8

SELECT APPROPRIATE TABLE

8.1 SPAN TABLES - KING POST / KING POST ECO

WIND CLASS N3 **AWNING TYPE** 2 **ROOF PITCH** 22.5°

Awning Dimensions		Purlins		Roof Beam			Posts			Footings		
Width (m)	Length (m)	Ridge	Edge	Edge	Internal	Edge with OH	Single Bay	Multiple Bay	Single with OH	Single Bay	Multiple Bay	Single with OH
4	4	150	100	100	150	150	89 x 6	125 x 4	125 x 4	2	3	2
	5	150	150	150	200	150	100 x 6	125 x 6	125 x 4	2	3	3
	6	200	150	150	200	200	125 x 4	150 x 5	125 x 5	2	3	3
	7	250	200	150	250	200	125 x 4	150 x 5	125 x 6	3	4	3
5	4	150	100	150	250	200	100 x 5	125 x 5	125 x 4	2	3	2
	5	200	150	150	250	250	125 x 4	150 x 5	125 x 5	2	3	3
	6	250	200	200	250	250	125 x 4	150 x 5	125 x 6	3	4	3
	7	250	250	200	300	250	125 x 5	150 x 6	150 x 5	3	4	3
6	4	150	150	200	250	250	100 x 6	125 x 6	125 x 5	2	3	3
	5	200	150	250	300	250	125 x 4	150 x 5	125 x 5	2	3	3
	6	250	200	250	-	250	125 x 5	-	150 x 5	3	-	3
	7	300	250	250	-	300	125 x 6	-	150 x 5	3	-	4
7	4	200	150	250	-	300	125 x 4	-	125 x 5	2	-	3
	5	250	200	250	-	300	125 x 4	-	150 x 5	3	-	3
	6	250	250	250	-	-	125 x 5	-	-	3	-	-
	7	-	-	-	-	-	-	-	-	-	-	-
8	4	200	150	250	-	-	125 x 4	-	-	2	-	-
	5	250	200	300	-	-	125 x 5	-	-	3	-	-
	6	-	-	-	-	-	-	-	-	-	-	-
	7	-	-	-	-	-	-	-	-	-	-	-

WIND CLASS N3 **AWNING TYPE** 2 **ROOF PITCH** 25°

Awning Dimensions		Purlins		Roof Beam			Posts			Footings		
Width (m)	Length (m)	Ridge	Edge	Edge	Internal	Edge with OH	Single Bay	Multiple Bay	Single with OH	Single Bay	Multiple Bay	Single with OH
4	4	150	100	100	150	150	100 x 5	125 x 5	125 x 4	2	3	2
	5	150	150	150	200	150	125 x 4	125 x 6	125 x 5	2	3	3
	6	200	150	150	200	200	125 x 4	150 x 5	125 x 5	2	4	3
	7	250	200	150	250	200	125 x 5	150 x 5	125 x 6	3	4	3
5	4	150	100	150	250	200	100 x 6	125 x 6	125 x 4	2	3	3
	5	200	150	150	250	250	125 x 4	150 x 5	125 x 5	2	3	3
	6	250	200	200	250	250	125 x 5	150 x 5	150 x 5	3	4	3
	7	250	250	200	300	250	125 x 6	200 x 5	150 x 5	3	4	4
6	4	150	150	200	250	250	125 x 4	150 x 5	125 x 5	2	3	3
	5	200	150	250	300	250	125 x 4	150 x 5	125 x 6	3	4	3
	6	250	200	250	-	250	125 x 5	-	150 x 5	3	-	3
	7	300	250	250	-	300	150 x 5	-	150 x 5	3	-	4
7	4	200	150	250	-	300	125 x 4	-	125 x 6	2	-	3
	5	250	200	250	-	300	125 x 5	-	150 x 5	3	-	3
	6	250	250	250	-	-	125 x 6	-	-	3	-	-
	7	-	-	-	-	-	-	-	-	-	-	-
8	4	200	150	250	-	-	125 x 4	-	-	3	-	-
	5	250	200	300	-	-	125 x 5	-	-	3	-	-
	6	-	-	-	-	-	-	-	-	-	-	-
	7	-	-	-	-	-	-	-	-	-	-	-

STEP 8

SELECT APPROPRIATE TABLE

8.1 SPAN TABLES - KING POST / KING POST ECO

WIND CLASS

N3

AWNING TYPE

3

ROOF PITCH

15°

Awning Dimensions		Purlins		Roof Beam			Posts			Footings		
Width (m)	Length (m)	Ridge	Edge	Edge	Internal	Edge with OH	Single Bay	Multiple Bay	Single with OH	Single Bay	Multiple Bay	Single with OH
4	4	150	100	150	200	150	89 x 3.5	100 x 5	89 x 6	1	2	2
	5	200	150	150	200	200	89 x 5	125 x 4	100 x 5	2	2	2
	6	250	200	150	250	200	100 x 5	125 x 5	125 x 4	2	3	2
	7	250	250	200	250	200	125 x 4	125 x 6	125 x 4	2	4	3
5	4	150	150	150	250	250	89 x 5	125 x 4	100 x 5	2	2	2
	5	200	150	200	250	250	89 x 6	125 x 4	100 x 6	2	3	2
	6	250	200	200	300	250	100 x 5	125 x 5	125 x 4	2	4	2
	7	300	250	250	300	250	125 x 4	150 x 5	125 x 4	2	-	3
6	4	200	150	200	300	250	89 x 5	125 x 4	100 x 6	2	3	2
	5	250	200	250	-	300	100 x 5	-	125 x 4	2	-	3
	6	250	250	250	-	300	125 x 4	-	125 x 4	2	-	3
	7	-	-	-	-	-	-	-	-	-	-	-
7	4	200	150	250	-	-	89 x 6	-	-	2	-	-
	5	250	200	250	-	-	100 x 5	-	-	2	-	-
	6	300	250	300	-	-	125 x 4	-	-	2	-	-
	7	-	-	-	-	-	-	-	-	-	-	-
8	4	250	150	300	-	-	89 x 6	-	-	2	-	-
	5	-	-	-	-	-	-	-	-	-	-	-
	6	-	-	-	-	-	-	-	-	-	-	-
	7	-	-	-	-	-	-	-	-	-	-	-

WIND CLASS

N3

AWNING TYPE

3

ROOF PITCH

20°

Awning Dimensions		Purlins		Roof Beam			Posts			Footings		
Width (m)	Length (m)	Ridge	Edge	Edge	Internal	Edge with OH	Single Bay	Multiple Bay	Single with OH	Single Bay	Multiple Bay	Single with OH
4	4	150	100	150	200	150	89 x 5	125 x 4	100 x 6	2	2	2
	5	200	150	150	200	200	100 x 5	125 x 5	125 x 4	2	3	2
	6	250	200	150	250	200	125 x 4	125 x 6	125 x 4	2	3	3
	7	250	250	200	250	200	125 x 4	150 x 5	125 x 5	3	4	3
5	4	150	150	150	250	250	100 x 5	125 x 4	125 x 4	2	3	2
	5	200	150	200	250	250	100 x 6	125 x 5	125 x 4	2	3	3
	6	250	200	200	300	250	125 x 4	150 x 5	125 x 5	2	4	3
	7	300	250	250	300	250	125 x 4	150 x 5	125 x 6	3	-	3
6	4	200	150	200	300	250	100 x 5	125 x 5	125 x 4	2	3	3
	5	250	200	250	-	300	125 x 4	-	125 x 5	2	-	3
	6	250	250	250	-	300	125 x 4	-	125 x 6	3	-	3
	7	-	-	-	-	-	-	-	-	-	-	-
7	4	200	150	250	-	-	100 x 6	-	-	2	-	-
	5	250	200	250	-	-	125 x 4	-	-	2	-	-
	6	300	250	300	-	-	125 x 5	-	-	3	-	-
	7	-	-	-	-	-	-	-	-	-	-	-
8	4	250	150	300	-	-	100 x 6	-	-	2	-	-
	5	-	-	-	-	-	-	-	-	-	-	-
	6	-	-	-	-	-	-	-	-	-	-	-
	7	-	-	-	-	-	-	-	-	-	-	-

STEP 8

SELECT APPROPRIATE TABLE

8.1 SPAN TABLES - KING POST / KING POST ECO

WIND CLASS N3 **AWNING TYPE** 3 **ROOF PITCH** 22.5°

Awning Dimensions		Purlins		Roof Beam			Posts			Footings		
Width (m)	Length (m)	Ridge	Edge	Edge	Internal	Edge with OH	Single Bay	Multiple Bay	Single with OH	Single Bay	Multiple Bay	Single with OH
4	4	150	100	150	200	150	89 x 6	125 x 4	125 x 4	2	3	2
	5	200	150	150	200	200	100 x 6	125 x 6	125 x 4	2	3	3
	6	250	200	150	250	200	125 x 4	150 x 5	125 x 5	2	3	3
	7	250	250	200	250	200	125 x 4	150 x 5	125 x 6	3	4	3
5	4	150	150	150	250	250	100 x 5	125 x 5	125 x 4	2	3	3
	5	200	150	200	250	250	125 x 4	150 x 5	125 x 5	2	3	3
	6	250	200	200	300	250	125 x 4	150 x 5	125 x 6	3	4	3
	7	300	250	250	300	250	125 x 5	150 x 6	150 x 5	3	-	3
6	4	200	150	200	300	250	100 x 6	125 x 6	125 x 5	2	3	3
	5	250	200	250	-	300	125 x 4	-	125 x 6	2	-	3
	6	250	250	250	-	300	125 x 5	-	150 x 5	3	-	3
	7	-	-	-	-	-	-	-	-	-	-	-
7	4	200	150	250	-	-	125 x 4	-	-	2	-	-
	5	250	200	250	-	-	125 x 4	-	-	3	-	-
	6	300	250	300	-	-	125 x 5	-	-	3	-	-
	7	-	-	-	-	-	-	-	-	-	-	-
8	4	250	150	300	-	-	125 x 4	-	-	2	-	-
	5	-	-	-	-	-	-	-	-	-	-	-
	6	-	-	-	-	-	-	-	-	-	-	-
	7	-	-	-	-	-	-	-	-	-	-	-

WIND CLASS N3 **AWNING TYPE** 3 **ROOF PITCH** 25°

Awning Dimensions		Purlins		Roof Beam			Posts			Footings		
Width (m)	Length (m)	Ridge	Edge	Edge	Internal	Edge with OH	Single Bay	Multiple Bay	Single with OH	Single Bay	Multiple Bay	Single with OH
4	4	150	100	150	200	150	100 x 5	125 x 5	125 x 4	2	3	2
	5	200	150	150	200	200	125 x 4	125 x 6	125 x 5	2	3	3
	6	250	200	150	250	200	125 x 4	150 x 5	125 x 6	3	4	3
	7	250	250	200	250	200	125 x 5	150 x 6	150 x 5	3	4	3
5	4	150	150	150	250	250	100 x 6	125 x 6	125 x 5	2	3	3
	5	200	150	200	250	250	125 x 4	150 x 5	125 x 5	2	3	3
	6	250	200	200	300	250	125 x 5	150 x 5	150 x 5	3	4	3
	7	300	250	250	300	250	125 x 6	200 x 5	150 x 5	3	-	4
6	4	200	150	200	300	250	125 x 4	150 x 5	125 x 5	2	3	3
	5	250	200	250	-	300	125 x 4	-	150 x 5	3	-	3
	6	250	250	250	-	300	125 x 6	-	150 x 5	3	-	4
	7	-	-	-	-	-	-	-	-	-	-	-
7	4	200	150	250	-	-	125 x 4	-	-	2	-	-
	5	250	200	250	-	-	125 x 5	-	-	3	-	-
	6	300	250	300	-	-	125 x 6	-	-	3	-	-
	7	-	-	-	-	-	-	-	-	-	-	-
8	4	250	150	300	-	-	125 x 4	-	-	3	-	-
	5	-	-	-	-	-	-	-	-	-	-	-
	6	-	-	-	-	-	-	-	-	-	-	-
	7	-	-	-	-	-	-	-	-	-	-	-

STEP 8 / SELECT APPROPRIATE TABLE

8.1 SPAN TABLES - KING POST / KING POST ECO

WIND CLASS N4 **AWNING TYPE** 0 **ROOF PITCH** 15°

Awning Dimensions		Purlins		Roof Beam			Posts			Footings		
Width (m)	Length (m)	Ridge	Edge	Edge	Internal	Edge with OH	Single Bay	Multiple Bay	Single with OH	Single Bay	Multiple Bay	Single with OH
4	4	100	100	100	150	150	89 x 6	125 x 4	100 x 6	2	2	2
	5	150	100	100	150	150	100 x 5	125 x 5	125 x 4	2	3	2
	6	200	150	150	200	150	125 x 4	150 x 5	125 x 4	2	3	3
	7	250	150	150	200	150	125 x 4	150 x 5	125 x 5	2	3	3
5	4	100	100	150	200	200	100 x 5	125 x 4	125 x 4	2	3	2
	5	150	150	150	250	200	100 x 6	125 x 6	125 x 4	2	3	3
	6	200	150	150	250	200	125 x 4	150 x 5	125 x 5	2	3	3
	7	250	200	200	250	250	125 x 4	150 x 5	125 x 6	3	4	3
6	4	150	100	150	250	250	100 x 5	125 x 5	125 x 4	2	3	2
	5	200	150	200	250	250	125 x 4	150 x 5	125 x 5	2	3	3
	6	250	200	200	300	250	125 x 4	150 x 5	125 x 6	3	4	3
	7	250	200	250	300	250	125 x 5	150 x 6	150 x 5	3	4	3
7	4	150	100	200	250	250	100 x 5	125 x 5	125 x 4	2	3	3
	5	200	150	250	300	250	125 x 4	150 x 5	125 x 5	2	3	3
	6	250	200	250	-	300	125 x 5	-	150 x 5	3	-	3
	7	250	250	250	-	300	125 x 6	-	150 x 5	3	-	4
8	4	150	100	250	-	300	100 x 6	-	125 x 4	2	-	3
	5	200	150	250	-	-	125 x 4	-	-	2	-	-
	6	250	200	300	-	-	125 x 5	-	-	3	-	-
	7	300	250	300	-	-	125 x 6	-	-	3	-	-

WIND CLASS N4 **AWNING TYPE** 0 **ROOF PITCH** 20°

Awning Dimensions		Purlins		Roof Beam			Posts			Footings		
Width (m)	Length (m)	Ridge	Edge	Edge	Internal	Edge with OH	Single Bay	Multiple Bay	Single with OH	Single Bay	Multiple Bay	Single with OH
4	4	100	100	100	150	150	100 x 5	125 x 5	125 x 4	2	3	3
	5	150	150	100	150	150	125 x 4	150 x 5	125 x 5	2	3	3
	6	200	150	150	200	150	125 x 4	150 x 5	125 x 6	3	4	3
	7	250	200	150	200	150	125 x 5	150 x 6	150 x 5	3	4	3
5	4	100	100	150	200	200	100 x 6	125 x 6	125 x 5	2	3	3
	5	150	150	150	250	200	125 x 4	150 x 5	125 x 6	3	4	3
	6	200	200	150	250	200	125 x 5	150 x 6	150 x 5	3	4	3
	7	250	250	200	250	250	150 x 5	200 x 5	150 x 5	3	4	4
6	4	150	100	150	250	250	125 x 4	150 x 5	125 x 5	2	3	3
	5	200	150	200	250	250	125 x 4	150 x 5	150 x 5	3	4	3
	6	250	200	200	300	250	125 x 6	200 x 5	150 x 5	3	4	4
	7	250	250	250	300	250	150 x 5	200 x 5	150 x 5	3	-	4
7	4	150	150	200	250	250	125 x 4	150 x 5	150 x 5	3	4	3
	5	200	200	250	300	250	125 x 5	150 x 6	150 x 5	3	4	4
	6	250	250	250	-	300	150 x 5	-	150 x 5	3	-	4
	7	250	250	250	-	300	150 x 5	-	150 x 6	4	-	4
8	4	150	150	250	-	300	125 x 4	-	150 x 5	3	-	3
	5	200	200	250	-	-	125 x 6	-	-	3	-	-
	6	250	250	300	-	-	150 x 5	-	-	3	-	-
	7	300	250	300	-	-	150 x 5	-	-	4	-	-

STEP 8

SELECT APPROPRIATE TABLE

8.1 SPAN TABLES - KING POST / KING POST ECO

WIND CLASS N4 **AWNING TYPE** 0 **ROOF PITCH** 22.5°

Awning Dimensions		Purlins		Roof Beam			Posts			Footings		
Width (m)	Length (m)	Ridge	Edge	Edge	Internal	Edge with OH	Single Bay	Multiple Bay	Single with OH	Single Bay	Multiple Bay	Single with OH
4	4	100	100	100	150	150	100 x 6	125 x 6	125 x 5	2	3	3
	5	150	150	100	150	150	125 x 4	150 x 5	125 x 6	3	4	3
	6	200	150	150	200	150	125 x 5	150 x 6	150 x 5	3	4	3
	7	250	200	150	200	150	125 x 6	200 x 5	150 x 5	3	4	4
5	4	100	100	150	200	200	125 x 4	150 x 5	125 x 6	2	3	3
	5	150	150	150	250	200	125 x 5	150 x 5	150 x 5	3	4	3
	6	200	200	150	250	200	125 x 6	200 x 5	150 x 5	3	4	4
	7	250	250	200	250	250	150 x 5	200 x 5	150 x 6	3	-	4
6	4	150	150	150	250	250	125 x 4	150 x 5	150 x 5	3	4	3
	5	200	150	200	250	250	125 x 5	150 x 6	150 x 5	3	4	4
	6	250	200	200	300	250	150 x 5	200 x 5	150 x 5	3	-	4
	7	250	250	250	300	250	150 x 5	200 x 5	150 x 6	4	-	4
7	4	150	150	200	250	250	125 x 5	150 x 5	150 x 5	3	4	4
	5	200	200	250	300	250	150 x 5	200 x 5	150 x 5	3	4	4
	6	250	250	250	-	300	150 x 5	-	150 x 6	4	-	4
	7	250	250	250	-	300	150 x 5	-	200 x 5	4	-	4
8	4	150	150	250	-	300	125 x 5	-	150 x 5	3	-	4
	5	200	200	250	-	-	150 x 5	-	-	3	-	-
	6	250	250	300	-	-	150 x 5	-	-	4	-	-
	7	300	300	300	-	-	150 x 6	-	-	4	-	-

WIND CLASS N4 **AWNING TYPE** 0 **ROOF PITCH** 25°

Awning Dimensions		Purlins		Roof Beam			Posts			Footings		
Width (m)	Length (m)	Ridge	Edge	Edge	Internal	Edge with OH	Single Bay	Multiple Bay	Single with OH	Single Bay	Multiple Bay	Single with OH
4	4	100	100	100	150	150	125 x 4	150 x 5	125 x 6	2	3	3
	5	150	150	100	150	150	125 x 5	150 x 5	150 x 5	3	4	3
	6	200	200	150	200	150	125 x 6	200 x 5	150 x 5	3	4	4
	7	250	250	150	200	150	150 x 5	200 x 5	150 x 6	3	-	4
5	4	100	150	150	200	200	125 x 4	150 x 5	150 x 5	3	4	3
	5	150	150	150	250	200	125 x 5	150 x 6	150 x 5	3	4	4
	6	200	200	150	250	200	150 x 5	200 x 5	150 x 5	3	-	4
	7	250	250	200	250	250	150 x 5	200 x 5	200 x 5	4	-	4
6	4	150	150	150	250	250	125 x 5	150 x 6	150 x 5	3	4	4
	5	200	200	200	250	250	150 x 5	200 x 5	150 x 5	3	4	4
	6	250	250	200	300	250	150 x 5	200 x 5	200 x 5	4	-	4
	7	250	250	250	300	250	150 x 5	200 x 5	200 x 5	4	-	4
7	4	150	150	200	250	250	125 x 6	150 x 6	150 x 5	3	4	4
	5	200	200	250	300	250	150 x 5	200 x 5	150 x 6	3	-	4
	6	250	250	250	-	300	150 x 5	-	200 x 5	4	-	4
	7	250	250	250	-	300	150 x 6	-	200 x 5	4	-	-
8	4	150	150	250	-	300	125 x 6	-	150 x 6	3	-	4
	5	200	200	250	-	-	150 x 5	-	-	4	-	-
	6	250	250	300	-	-	150 x 6	-	-	4	-	-
	7	300	300	300	-	-	200 x 5	-	-	4	-	-

STEP 8

SELECT APPROPRIATE TABLE

8.1 SPAN TABLES - KING POST / KING POST ECO

WIND CLASS

N4

AWNING TYPE

1/1P

ROOF PITCH

15°

Awning Dimensions		Purlins		Roof Beam			Posts			Footings		
Width (m)	Length (m)	Ridge	Edge	Edge	Internal	Edge with OH	Single Bay	Multiple Bay	Single with OH	Single Bay	Multiple Bay	Single with OH
4	4	150	100	100	200	150	89 x 6	125 x 4	100 x 6	2	2	2
	5	200	150	150	200	150	100 x 5	125 x 5	125 x 4	2	3	3
	6	250	150	150	250	200	125 x 4	150 x 5	125 x 4	2	3	3
	7	250	200	150	250	200	125 x 4	150 x 5	125 x 6	3	4	3
5	4	150	100	150	250	200	100 x 5	125 x 4	125 x 4	2	3	2
	5	200	150	200	250	250	100 x 6	125 x 6	125 x 4	2	3	3
	6	250	200	200	250	250	125 x 4	150 x 5	125 x 5	3	4	3
	7	250	250	200	300	250	125 x 5	150 x 6	150 x 5	3	4	3
6	4	150	150	200	250	250	100 x 5	125 x 5	125 x 4	2	3	3
	5	250	150	250	300	250	125 x 4	150 x 5	125 x 5	2	3	3
	6	250	200	250	-	250	125 x 4	-	125 x 6	3	-	3
	7	300	250	250	-	300	125 x 5	-	150 x 5	3	-	3
7	4	200	150	250	-	300	100 x 6	-	125 x 4	2	-	3
	5	250	200	250	-	-	125 x 4	-	-	2	-	-
	6	250	250	250	-	-	125 x 5	-	-	3	-	-
	7	-	-	-	-	-	-	-	-	-	-	-
8	4	200	150	250	-	-	100 x 6	-	-	2	-	-
	5	250	200	300	-	-	125 x 4	-	-	3	-	-
	6	-	-	-	-	-	-	-	-	-	-	-
	7	-	-	-	-	-	-	-	-	-	-	-

WIND CLASS

N4

AWNING TYPE

1/1P

ROOF PITCH

20°

Awning Dimensions		Purlins		Roof Beam			Posts			Footings		
Width (m)	Length (m)	Ridge	Edge	Edge	Internal	Edge with OH	Single Bay	Multiple Bay	Single with OH	Single Bay	Multiple Bay	Single with OH
4	4	150	100	100	200	150	100 x 5	125 x 5	125 x 4	2	3	3
	5	200	150	150	200	150	125 x 4	150 x 5	125 x 5	2	3	3
	6	250	150	150	250	200	125 x 4	150 x 5	125 x 6	3	4	3
	7	250	200	150	250	200	125 x 5	150 x 6	150 x 5	3	4	3
5	4	150	100	150	250	200	100 x 6	125 x 6	125 x 5	2	3	3
	5	200	150	200	250	250	125 x 4	150 x 5	125 x 6	3	4	3
	6	250	200	200	250	250	125 x 5	150 x 6	150 x 5	3	4	3
	7	250	250	200	300	250	150 x 5	200 x 5	150 x 5	3	4	4
6	4	150	150	200	250	250	125 x 4	150 x 5	125 x 6	2	3	3
	5	250	150	250	300	250	125 x 4	150 x 5	150 x 5	3	4	3
	6	250	200	250	-	250	125 x 6	-	150 x 5	3	-	4
	7	300	250	250	-	300	150 x 5	-	150 x 5	3	-	4
7	4	200	150	250	-	300	125 x 4	-	150 x 5	3	-	3
	5	250	200	250	-	-	125 x 5	-	-	3	-	-
	6	250	250	250	-	-	150 x 5	-	-	3	-	-
	7	-	-	-	-	-	-	-	-	-	-	-
8	4	200	150	250	-	-	125 x 4	-	-	3	-	-
	5	250	200	300	-	-	125 x 6	-	-	3	-	-
	6	-	-	-	-	-	-	-	-	-	-	-
	7	-	-	-	-	-	-	-	-	-	-	-

STEP 8

SELECT APPROPRIATE TABLE

8.1 SPAN TABLES - KING POST / KING POST ECO

WIND CLASS

N4

AWNING TYPE

1/1P

ROOF PITCH

22.5°

Awning Dimensions		Purlins		Roof Beam			Posts			Footings		
Width (m)	Length (m)	Ridge	Edge	Edge	Internal	Edge with OH	Single Bay	Multiple Bay	Single with OH	Single Bay	Multiple Bay	Single with OH
4	4	150	100	100	200	150	100 x 6	125 x 6	125 x 5	2	3	3
	5	200	150	150	200	150	125 x 4	150 x 5	125 x 6	3	4	3
	6	250	150	150	250	200	125 x 5	150 x 6	150 x 5	3	4	3
	7	250	200	150	250	200	125 x 6	200 x 5	150 x 5	3	4	4
5	4	150	100	150	250	200	125 x 4	150 x 5	125 x 6	2	3	3
	5	200	150	200	250	250	125 x 5	150 x 5	150 x 5	3	4	3
	6	250	200	200	250	250	125 x 6	200 x 5	150 x 5	3	4	4
	7	250	250	200	300	250	150 x 5	200 x 5	150 x 6	3	-	4
6	4	150	150	200	250	250	125 x 4	150 x 5	150 x 5	3	4	3
	5	250	150	250	300	250	125 x 5	150 x 6	150 x 5	3	4	4
	6	250	200	250	-	250	150 x 5	-	150 x 5	3	-	4
	7	300	250	250	-	300	150 x 5	-	150 x 6	4	-	4
7	4	200	150	250	-	300	125 x 5	-	150 x 5	3	-	4
	5	250	200	250	-	-	150 x 5	-	-	3	-	-
	6	250	250	250	-	-	150 x 5	-	-	4	-	-
	7	-	-	-	-	-	-	-	-	-	-	-
8	4	200	150	250	-	-	125 x 5	-	-	3	-	-
	5	250	200	300	-	-	150 x 5	-	-	3	-	-
	6	-	-	-	-	-	-	-	-	-	-	-
	7	-	-	-	-	-	-	-	-	-	-	-

WIND CLASS

N4

AWNING TYPE

1/1P

ROOF PITCH

25°

Awning Dimensions		Purlins		Roof Beam			Posts			Footings		
Width (m)	Length (m)	Ridge	Edge	Edge	Internal	Edge with OH	Single Bay	Multiple Bay	Single with OH	Single Bay	Multiple Bay	Single with OH
4	4	150	100	100	200	150	125 x 4	150 x 5	125 x 6	2	3	3
	5	200	150	150	200	150	125 x 5	150 x 5	150 x 5	3	4	3
	6	250	200	150	250	200	125 x 6	200 x 5	150 x 5	3	4	4
	7	250	250	150	250	200	150 x 5	200 x 5	150 x 6	3	-	4
5	4	150	150	150	250	200	125 x 4	150 x 5	150 x 5	3	4	3
	5	200	150	200	250	250	125 x 5	150 x 6	150 x 5	3	4	4
	6	250	200	200	250	250	150 x 5	200 x 5	150 x 5	3	-	4
	7	250	250	200	300	250	150 x 5	200 x 5	200 x 5	4	-	4
6	4	150	150	200	250	250	125 x 5	150 x 6	150 x 5	3	4	4
	5	250	200	250	300	250	150 x 5	200 x 5	150 x 5	3	4	4
	6	250	250	250	-	250	150 x 5	-	200 x 5	4	-	4
	7	300	250	250	-	300	150 x 5	-	200 x 5	4	-	4
7	4	200	150	250	-	300	125 x 6	-	150 x 5	3	-	4
	5	250	200	250	-	-	150 x 5	-	-	3	-	-
	6	250	250	250	-	-	150 x 5	-	-	4	-	-
	7	-	-	-	-	-	-	-	-	-	-	-
8	4	200	150	250	-	-	125 x 6	-	-	3	-	-
	5	250	200	300	-	-	150 x 5	-	-	4	-	-
	6	-	-	-	-	-	-	-	-	-	-	-
	7	-	-	-	-	-	-	-	-	-	-	-

STEP 8

SELECT APPROPRIATE TABLE

8.1 SPAN TABLES - KING POST / KING POST ECO

WIND CLASS

N4

AWNING TYPE

2

ROOF PITCH

15°

Awning Dimensions		Purlins		Roof Beam			Posts			Footings		
Width (m)	Length (m)	Ridge	Edge	Edge	Internal	Edge with OH	Single Bay	Multiple Bay	Single with OH	Single Bay	Multiple Bay	Single with OH
4	4	150	150	150	200	200	100 x 5	125 x 4	125 x 4	2	3	2
	5	200	150	150	250	200	100 x 5	125 x 5	125 x 4	2	3	3
	6	250	200	200	250	250	125 x 4	150 x 5	125 x 5	2	4	3
	7	300	250	200	250	250	125 x 5	150 x 5	125 x 6	3	-	3
5	4	200	150	200	250	250	100 x 5	125 x 5	125 x 4	2	3	2
	5	250	200	250	300	250	125 x 4	150 x 5	125 x 5	2	4	3
	6	250	250	250	-	250	125 x 4	-	125 x 6	3	-	3
	7	-	-	-	-	-	-	-	-	-	-	-
6	4	200	150	250	-	300	100 x 5	-	125 x 4	2	-	3
	5	250	200	250	-	-	125 x 4	-	-	2	-	-
	6	-	-	-	-	-	-	-	-	-	-	-
	7	-	-	-	-	-	-	-	-	-	-	-
7	4	250	200	250	-	-	100 x 6	-	-	2	-	-
	5	250	250	300	-	-	125 x 4	-	-	3	-	-
	6	-	-	-	-	-	-	-	-	-	-	-
	7	-	-	-	-	-	-	-	-	-	-	-
8	4	-	-	-	-	-	-	-	-	-	-	-
	5	-	-	-	-	-	-	-	-	-	-	-
	6	-	-	-	-	-	-	-	-	-	-	-
	7	-	-	-	-	-	-	-	-	-	-	-

WIND CLASS

N4

AWNING TYPE

2

ROOF PITCH

20°

Awning Dimensions		Purlins		Roof Beam			Posts			Footings		
Width (m)	Length (m)	Ridge	Edge	Edge	Internal	Edge with OH	Single Bay	Multiple Bay	Single with OH	Single Bay	Multiple Bay	Single with OH
4	4	150	150	150	200	200	100 x 6	125 x 6	125 x 4	2	3	3
	5	200	150	150	250	200	125 x 4	150 x 5	125 x 5	2	3	3
	6	250	200	200	250	250	125 x 5	150 x 5	150 x 5	3	4	3
	7	300	250	200	250	250	125 x 6	200 x 5	150 x 5	3	-	4
5	4	200	150	200	250	250	125 x 4	150 x 5	125 x 5	2	3	3
	5	250	200	250	300	250	125 x 4	150 x 5	150 x 5	3	4	3
	6	250	250	250	-	250	125 x 6	-	150 x 5	3	-	4
	7	-	-	-	-	-	-	-	-	-	-	-
6	4	200	150	250	-	300	125 x 4	-	125 x 6	2	-	3
	5	250	200	250	-	-	125 x 5	-	-	3	-	-
	6	-	-	-	-	-	-	-	-	-	-	-
	7	-	-	-	-	-	-	-	-	-	-	-
7	4	250	200	250	-	-	125 x 4	-	-	3	-	-
	5	250	250	300	-	-	125 x 6	-	-	3	-	-
	6	-	-	-	-	-	-	-	-	-	-	-
	7	-	-	-	-	-	-	-	-	-	-	-
8	4	-	-	-	-	-	-	-	-	-	-	-
	5	-	-	-	-	-	-	-	-	-	-	-
	6	-	-	-	-	-	-	-	-	-	-	-
	7	-	-	-	-	-	-	-	-	-	-	-

STEP 8

SELECT APPROPRIATE TABLE

8.1 SPAN TABLES - KING POST / KING POST ECO

WIND CLASS N4 **AWNING TYPE** 2 **ROOF PITCH** 22.5°

Awning Dimensions		Purlins		Roof Beam			Posts			Footings		
Width (m)	Length (m)	Ridge	Edge	Edge	Internal	Edge with OH	Single Bay	Multiple Bay	Single with OH	Single Bay	Multiple Bay	Single with OH
4	4	150	150	150	200	200	125 x 4	150 x 5	125 x 5	2	3	3
	5	200	150	150	250	200	125 x 4	150 x 5	125 x 6	3	4	3
	6	250	200	200	250	250	125 x 5	150 x 6	150 x 5	3	4	3
	7	300	250	200	250	250	150 x 5	200 x 5	150 x 5	3	-	4
5	4	200	150	200	250	250	125 x 4	150 x 5	125 x 6	2	4	3
	5	250	200	250	300	250	125 x 5	150 x 6	150 x 5	3	4	3
	6	250	250	250	-	250	150 x 5	-	150 x 5	3	-	4
	7	-	-	-	-	-	-	-	-	-	-	-
6	4	200	150	250	-	300	125 x 4	-	150 x 5	3	-	3
	5	250	200	250	-	-	125 x 6	-	-	3	-	-
	6	-	-	-	-	-	-	-	-	-	-	-
	7	-	-	-	-	-	-	-	-	-	-	-
7	4	250	200	250	-	-	125 x 5	-	-	3	-	-
	5	250	250	300	-	-	150 x 5	-	-	3	-	-
	6	-	-	-	-	-	-	-	-	-	-	-
	7	-	-	-	-	-	-	-	-	-	-	-
8	4	-	-	-	-	-	-	-	-	-	-	-
	5	-	-	-	-	-	-	-	-	-	-	-
	6	-	-	-	-	-	-	-	-	-	-	-
	7	-	-	-	-	-	-	-	-	-	-	-

WIND CLASS N4 **AWNING TYPE** 2 **ROOF PITCH** 25°

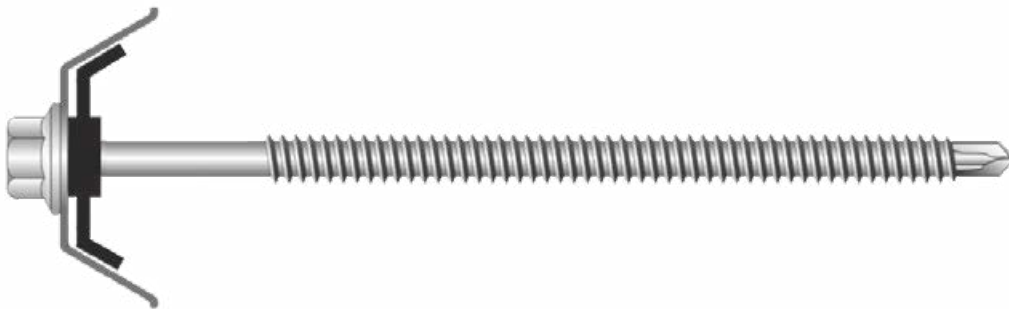
Awning Dimensions		Purlins		Roof Beam			Posts			Footings		
Width (m)	Length (m)	Ridge	Edge	Edge	Internal	Edge with OH	Single Bay	Multiple Bay	Single with OH	Single Bay	Multiple Bay	Single with OH
4	4	150	150	150	200	200	125 x 4	150 x 5	125 x 6	2	3	3
	5	200	150	150	250	200	125 x 5	150 x 5	150 x 5	3	4	3
	6	250	200	200	250	250	125 x 6	200 x 5	150 x 5	3	4	4
	7	300	250	200	250	250	150 x 5	200 x 5	150 x 6	3	-	4
5	4	200	150	200	250	250	125 x 4	150 x 5	150 x 5	3	4	3
	5	250	200	250	300	250	125 x 6	200 x 5	150 x 5	3	4	4
	6	250	250	250	-	250	150 x 5	-	150 x 6	3	-	4
	7	-	-	-	-	-	-	-	-	-	-	-
6	4	200	150	250	-	300	125 x 5	-	150 x 5	3	-	4
	5	250	200	250	-	-	150 x 5	-	-	3	-	-
	6	300	250	250	-	-	150 x 5	-	-	4	-	-
	7	-	-	-	-	-	-	-	-	-	-	-
7	4	250	200	250	-	-	125 x 6	-	-	3	-	-
	5	250	250	300	-	-	150 x 5	-	-	4	-	-
	6	-	-	-	-	-	-	-	-	-	-	-
	7	-	-	-	-	-	-	-	-	-	-	-
8	4	-	-	-	-	-	-	-	-	-	-	-
	5	-	-	-	-	-	-	-	-	-	-	-
	6	-	-	-	-	-	-	-	-	-	-	-
	7	-	-	-	-	-	-	-	-	-	-	-



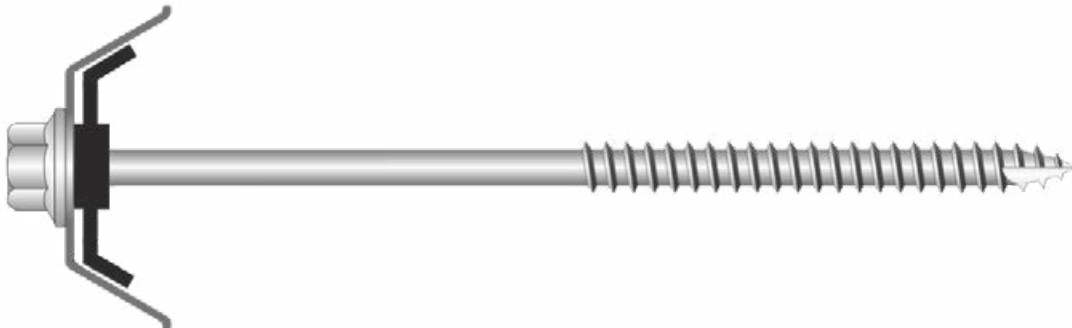
Screw Types

Main Fasteners with Cyclone Plate and Washer

Metal Tek - Fixing | **Fixing into Steel Beams up to 12.5mm**



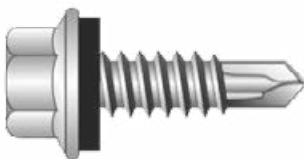
T17 - Fixing | **Fixing into Timber Beams**



Secondary Fasteners

Tek M13 x 25mm - Fixing

Stitching Screw





Screw Selection Tables

DeltaTrim™					
Minimum Class 3 - must be HEX Head	Steel Beam	Timber Beam	Minimum Class 3 - must be HEX Head	Steel Beam	Timber Beam
50mm	135mm	125mm	150mm	230mm	230mm
75mm	150mm	150mm	175mm	260mm	265mm
100mm	175mm	175mm	200mm	260mm	300mm
125mm	200mm	200mm			

DeltaOrb™					
Minimum Class 3 - must be HEX Head	Steel Beam	Timber Beam	Minimum Class 3 - must be HEX Head	Steel Beam	Timber Beam
50mm	115mm	125mm	150mm	200mm	230mm
75mm	135mm	150mm	175mm	230mm	265mm
100mm	150mm	175mm	200mm	260mm	300mm
125mm	175mm	200mm			

DeltaCorroCorro™					
Minimum Class 3 - must be HEX Head	Steel Beam	Timber Beam	Minimum Class 3 - must be HEX Head	Steel Beam	Timber Beam
75mm	115mm	125mm	175mm	200mm	230mm
100mm	135mm	150mm	200mm	230mm	265mm
125mm	150mm	175mm	225mm	260mm	265mm
150mm	175mm	200mm	250mm	300mm	300mm

DeltaTrimTrim™					
Minimum Class 3 - must be HEX Head	Steel Beam	Timber Beam	Minimum Class 3 - must be HEX Head	Steel Beam	Timber Beam
75mm	200mm	200mm	150mm	260mm	265mm
100mm	230mm	230mm	175mm	300mm	300mm
125mm	230mm	230mm	200mm	300mm	300mm

DeltaTrimCorro™					
Minimum Class 3 - must be HEX Head	Steel Beam	Timber Beam	Minimum Class 3 - must be HEX Head	Steel Beam	Timber Beam
75mm	175mm	175mm	150mm	260mm	265mm
100mm	200mm	200mm	175mm	300mm	300mm
125mm	230mm	230mm	200mm	300mm	300mm





Delta Panels™ Pty Ltd is committed to an ongoing programme of product research and development and reserves the right to update and amend information without prior notice. Reasonable care has been taken to ensure that all published information is correct and accurately reflects the properties of our products and their design applications at the time of publication. However these are a general guide only, it is the customers responsibility to ensure that all products and their stated applications are fit for purpose and complies with all relevant statutory requirements. To ensure that you keep abreast of all updates in our product range, all current reference material are available on our web page for downloading.

All information contained within this document is subject to Copyright and may not be copied without the express permission of Delta Panels™ Pty Ltd.

Delta Panels™, DeltaSpan™, DeltaTrim™, DeltaOrb™, DeltaCorroCorro™, DeltaTrimTrim™, DeltaTrimCorro™, DeltaLowProfile™, DeltaPanelLight™ & DeltaDualCore™ are registered trademarks of Delta Panels™ Pty Ltd.